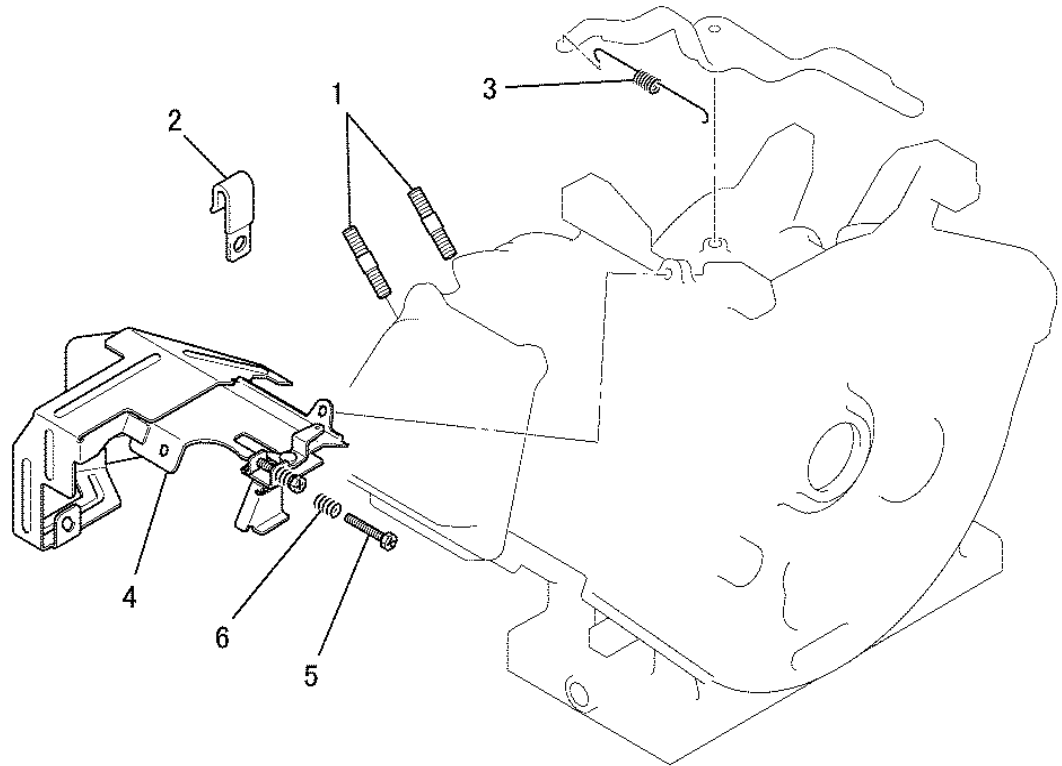
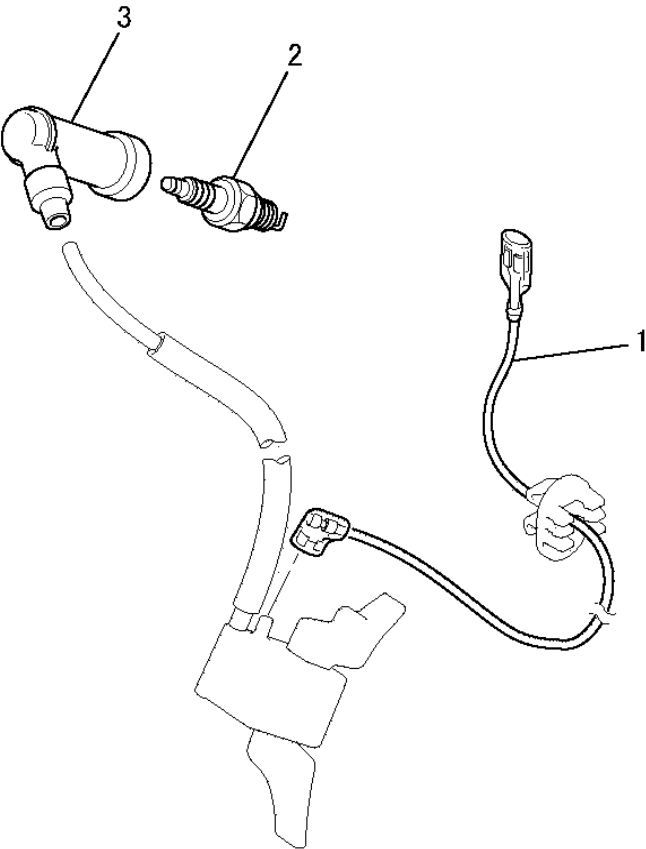


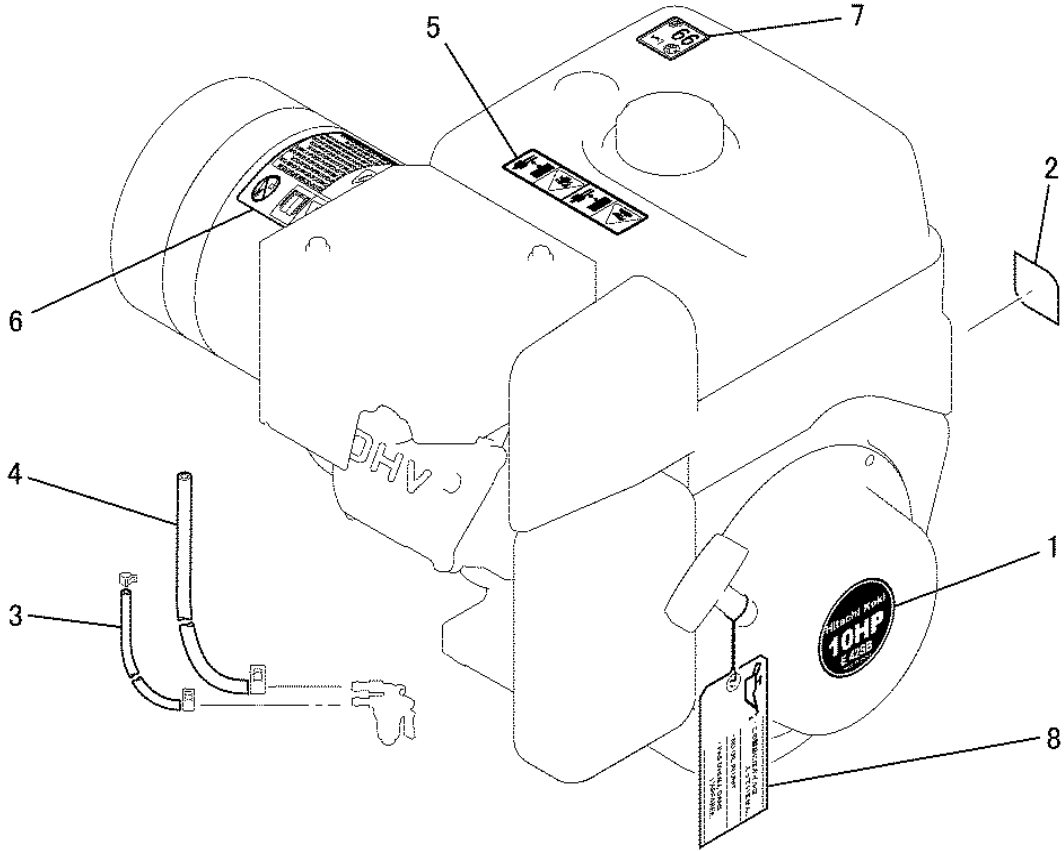
# 1. BOLT, SPRING, COVER



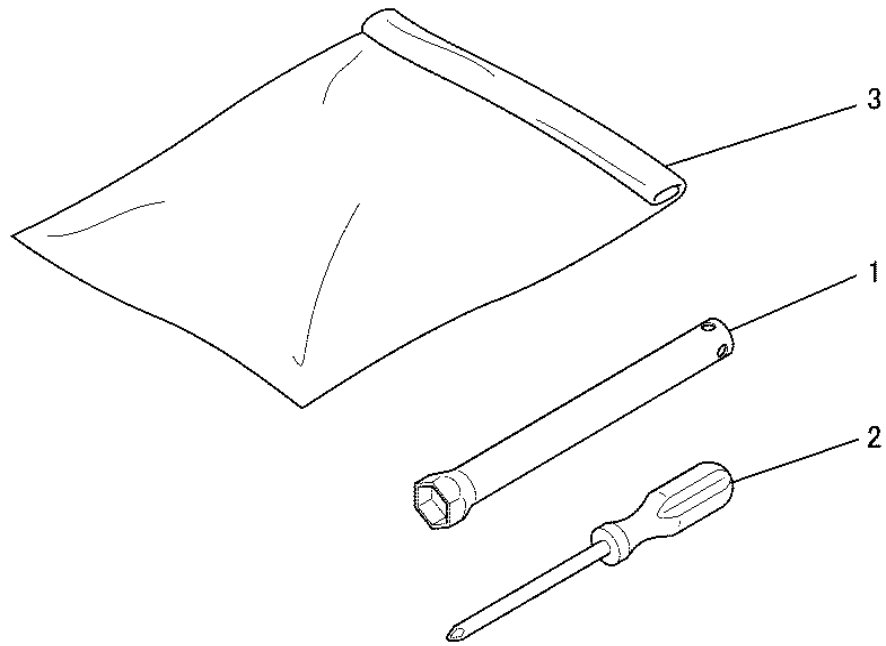
## 2. LEAD WIRE, PLUG, CAP



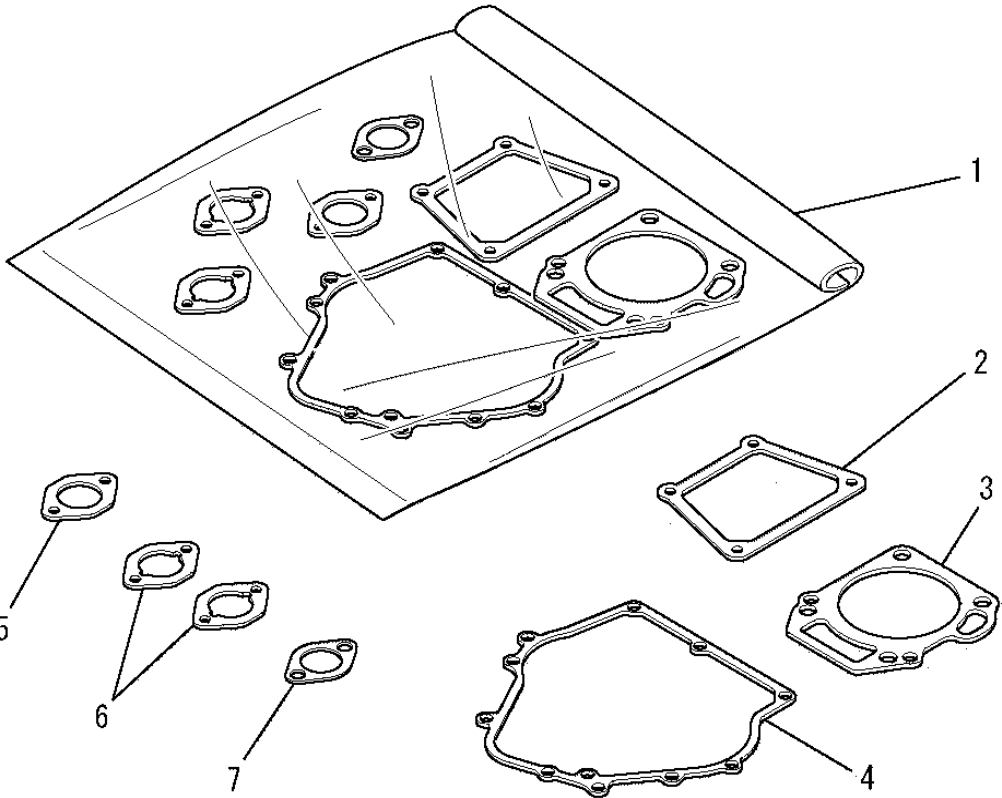
### 3. LABEL, FUEL HOSE



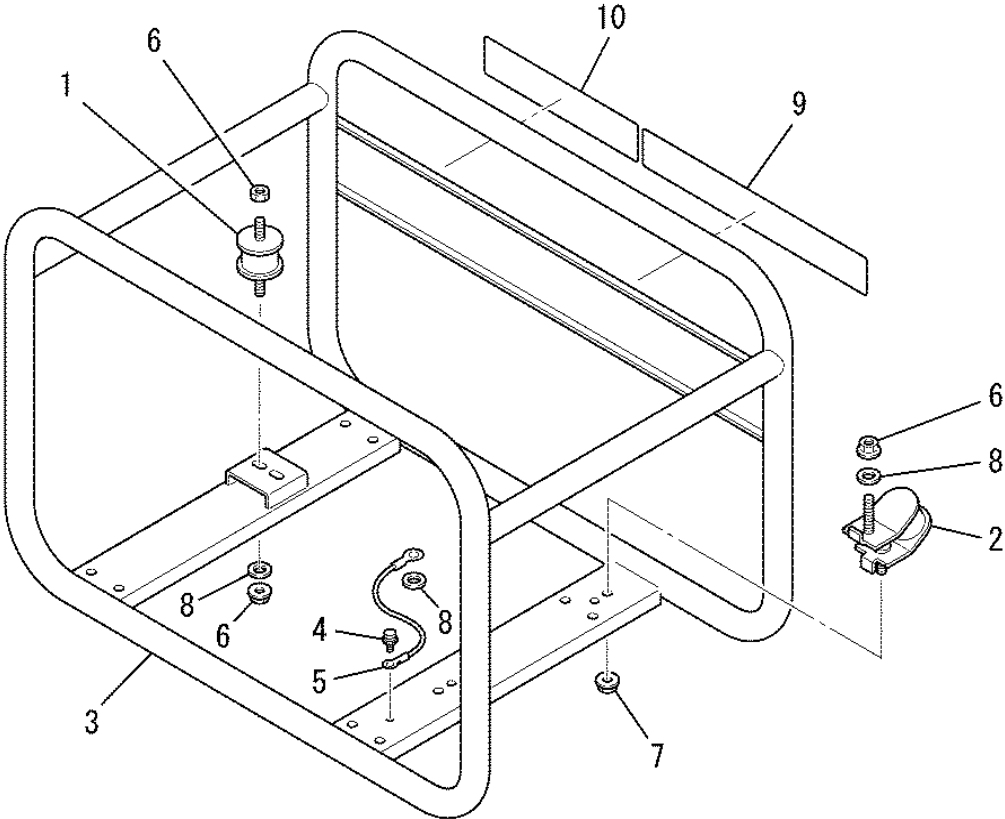
## 4. TOOL SET



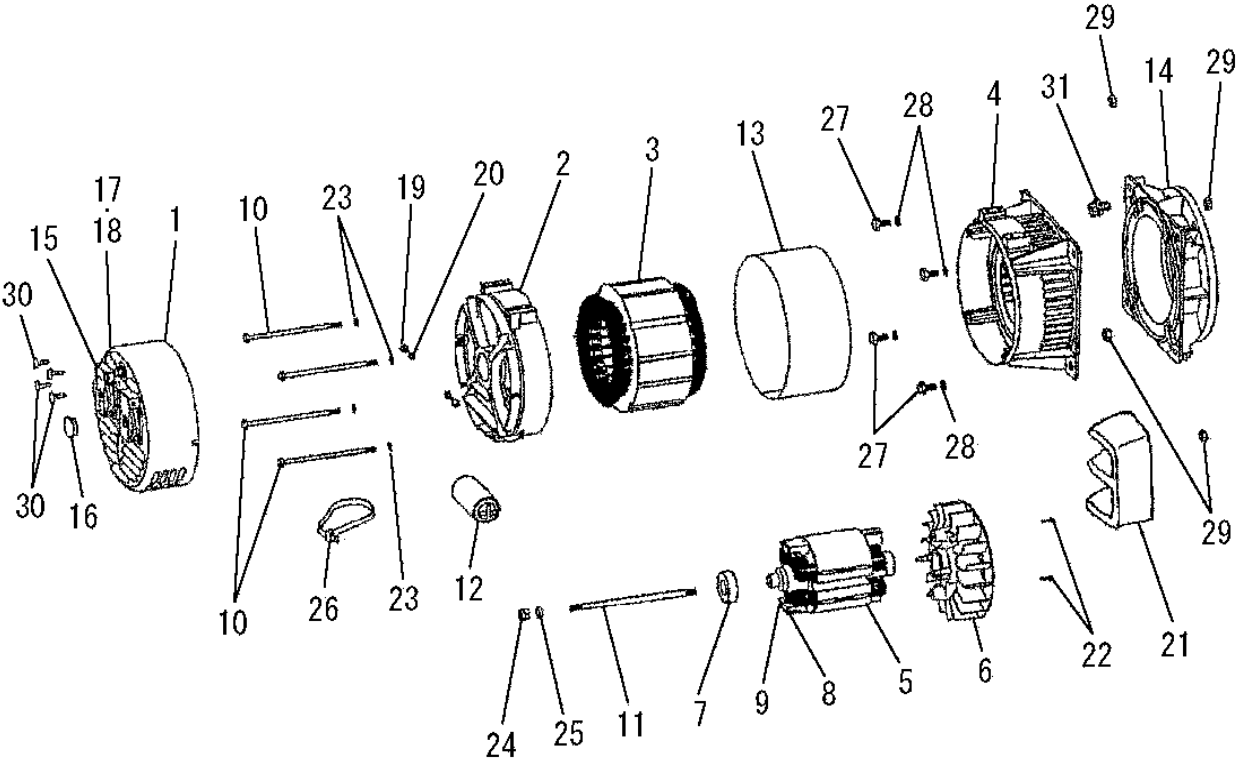
# 5. GASKET SET



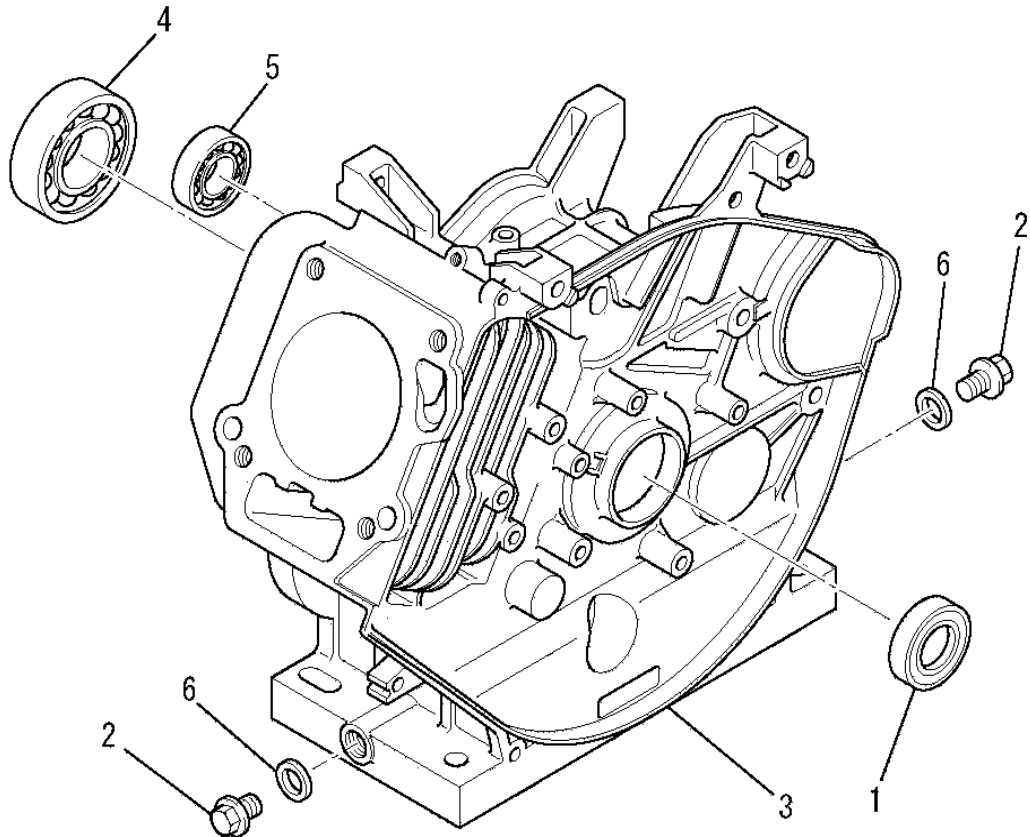
# 6. FRAME & TANK



# 7. GRNERATOR

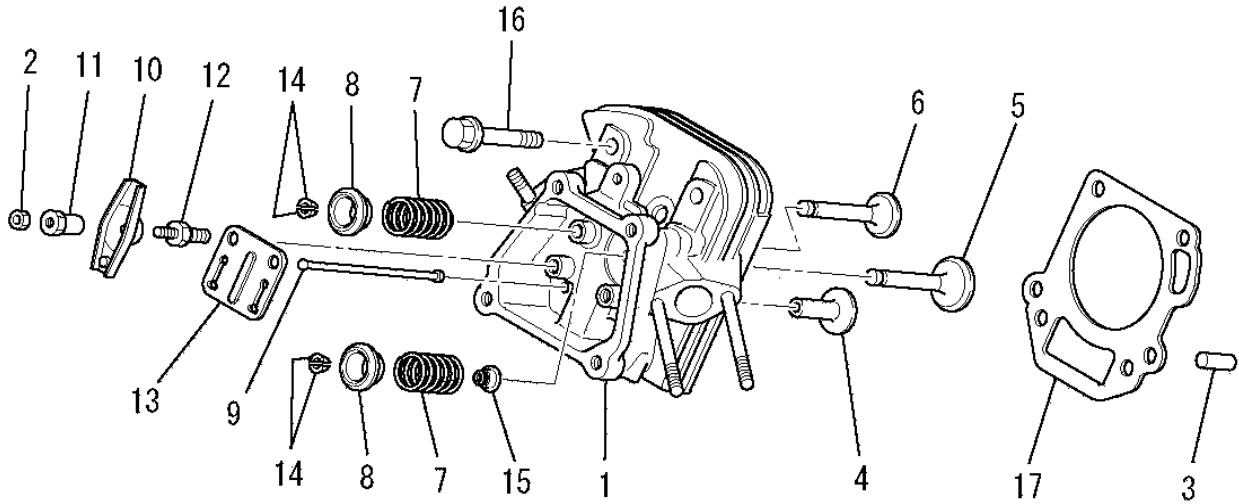


# (A) CYLINDER BLOCK GROUP

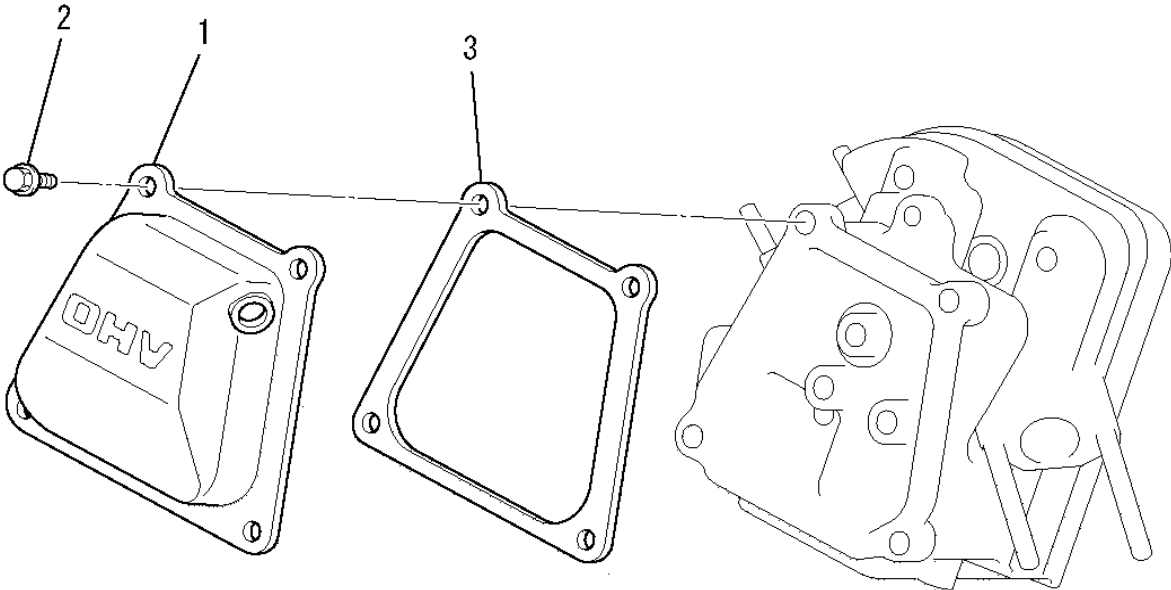




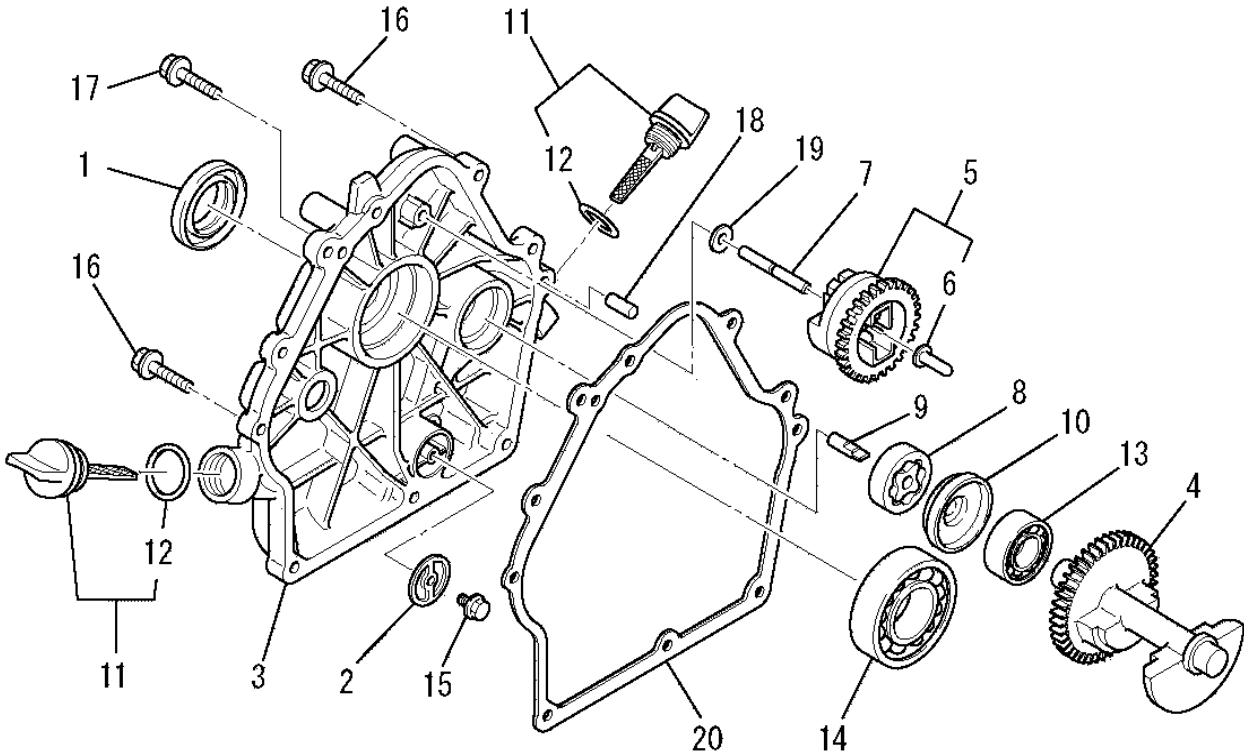
(B) CYLINDER HEAD GROUP



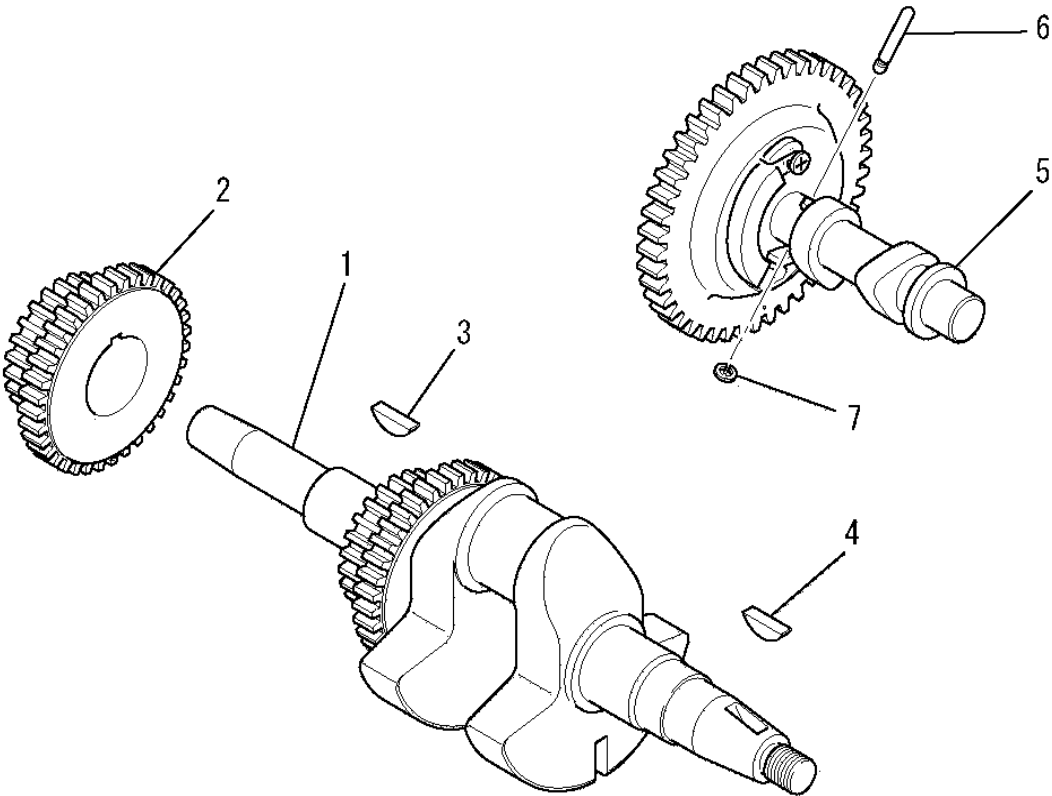
(C) HEAD COVER GROUP



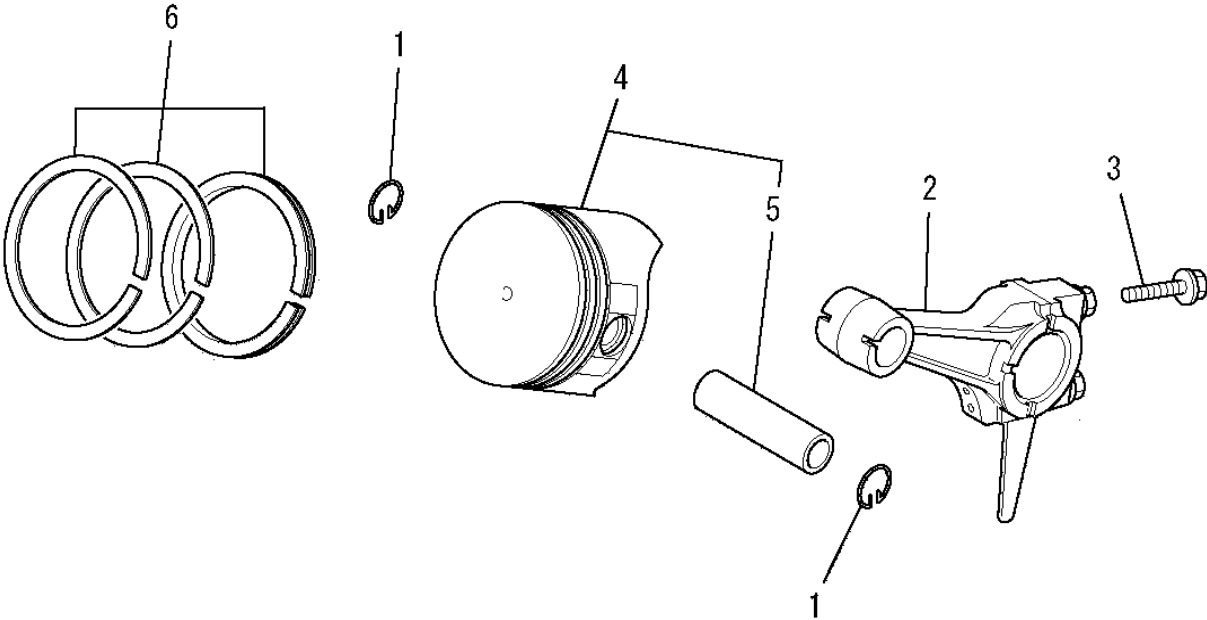
# (D) CASE COVER GROUP



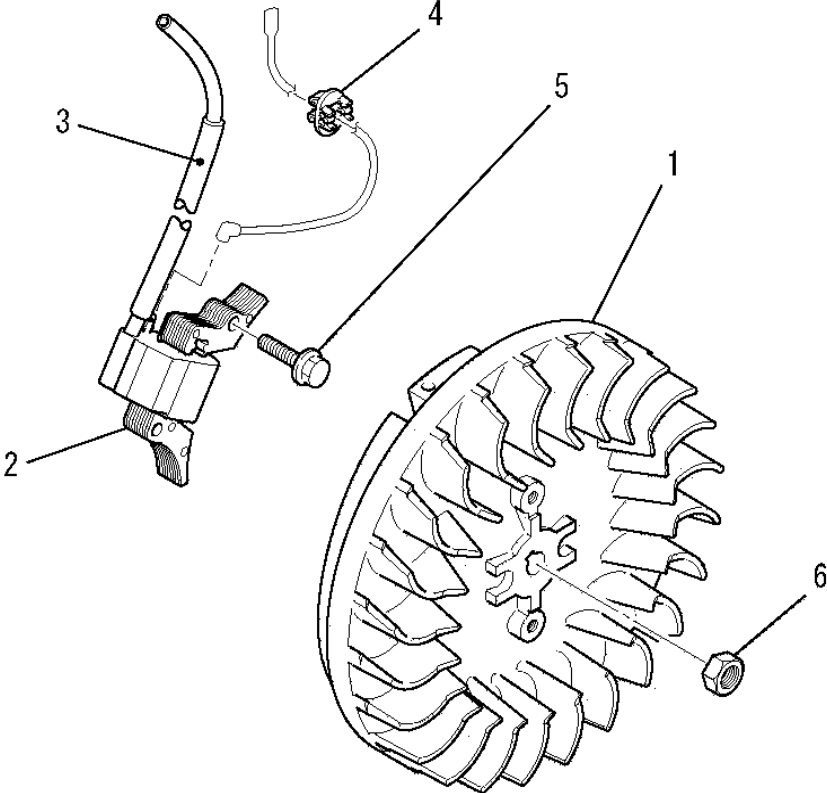
# (E) CRANKSHAFT GROUP



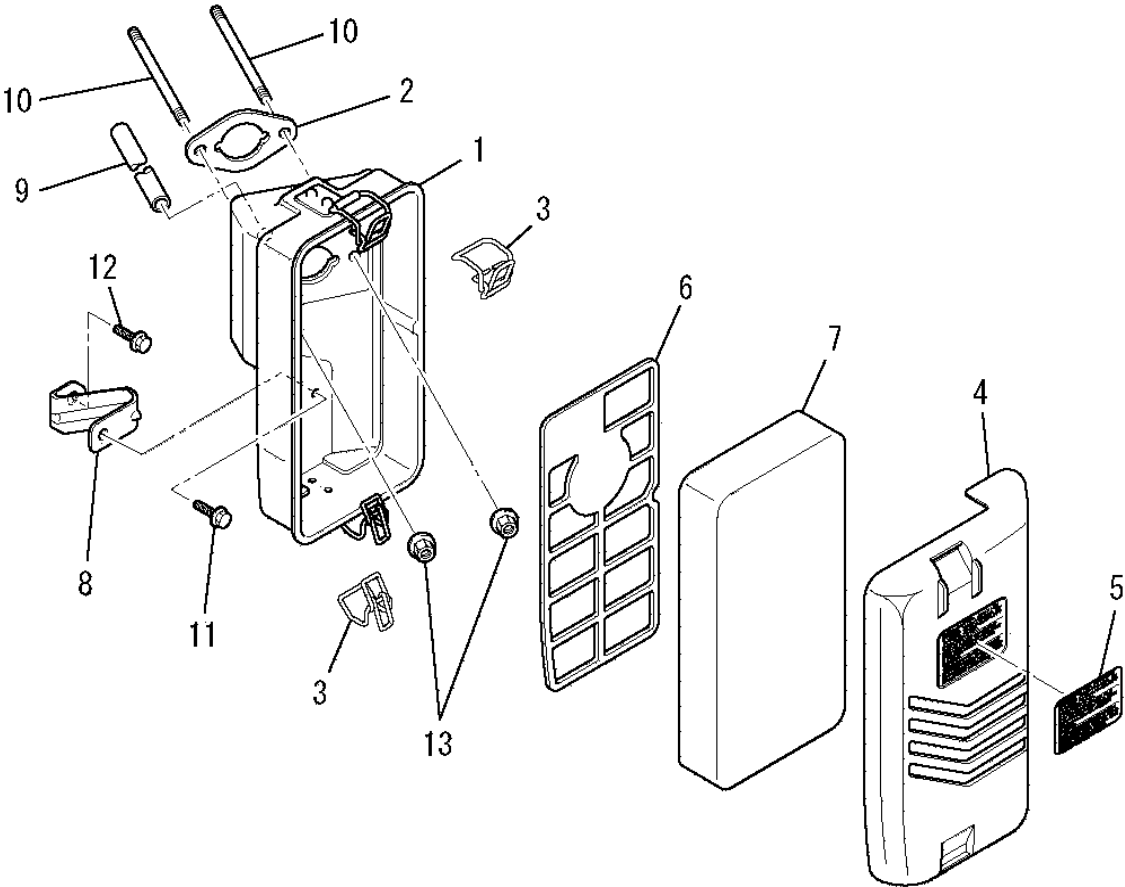
# (F) PISTON & ROD GROUP



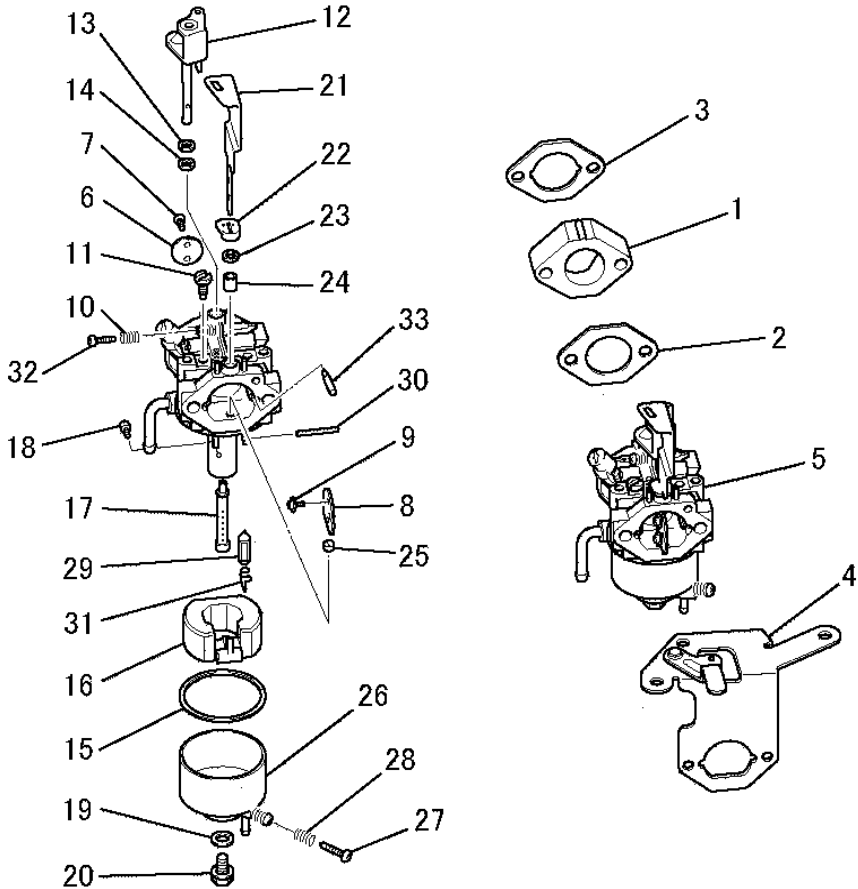
(G) MAGNETO GROUP



# (H) AIR CLEANER GROUP

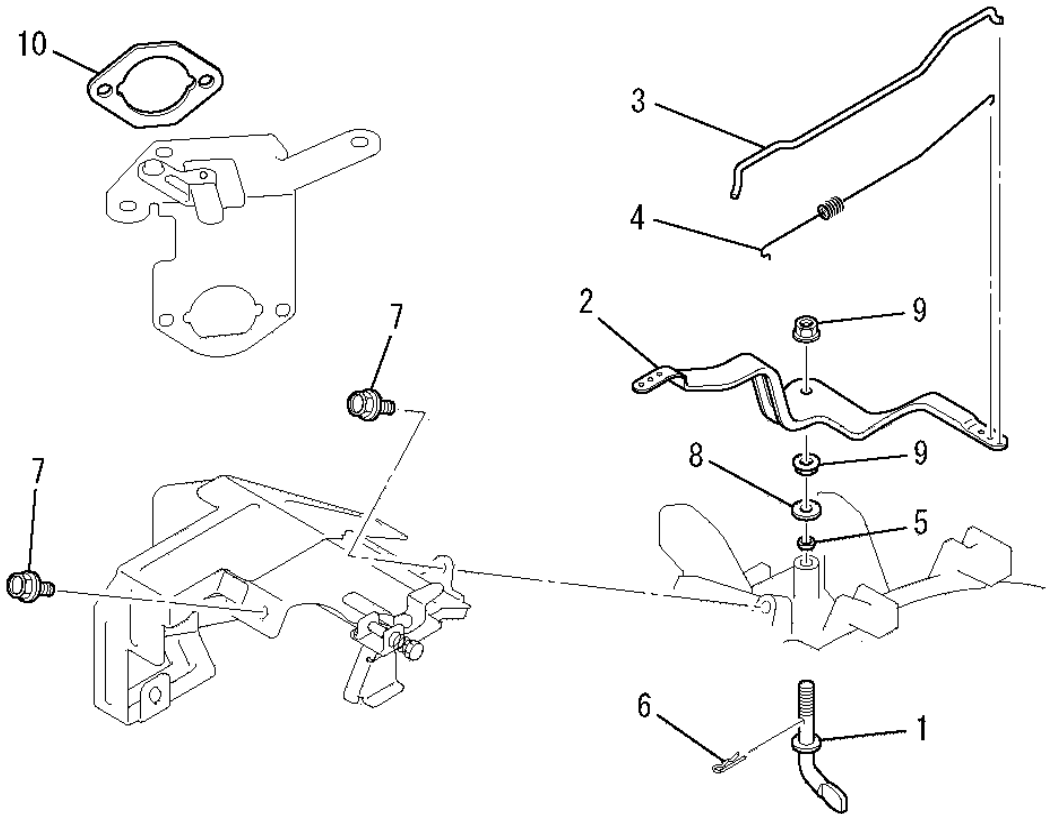


# (I) CARBURETOR GROUP

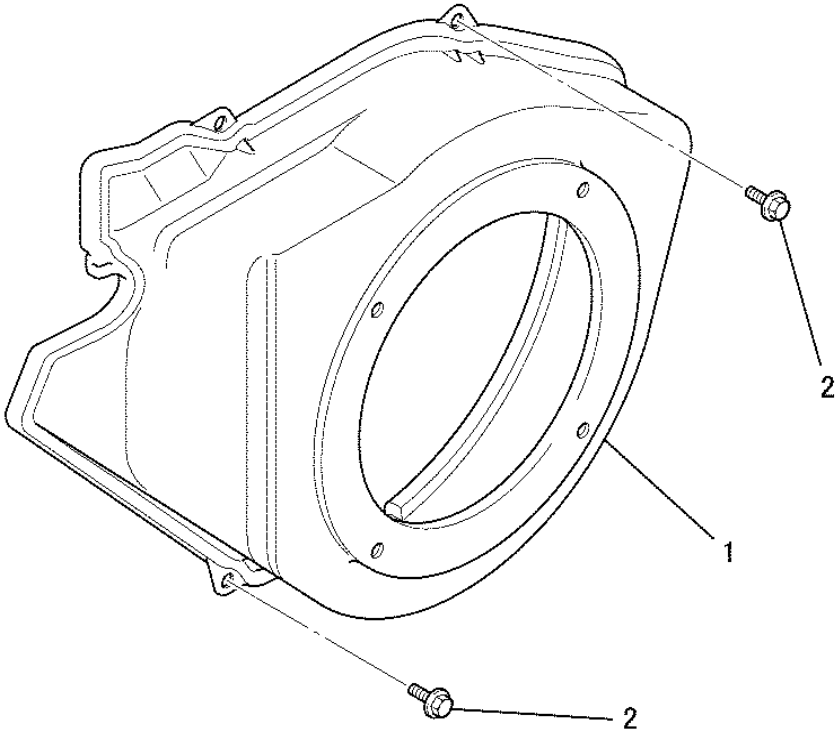




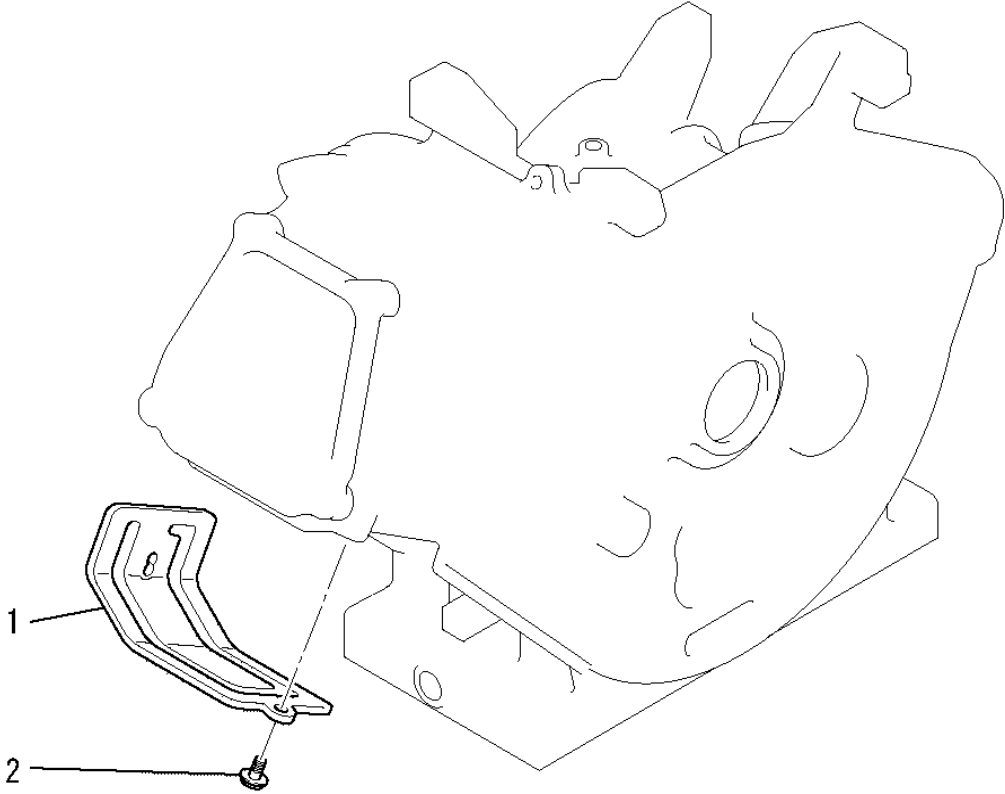
# (J) CONTROL PANEL GROUP



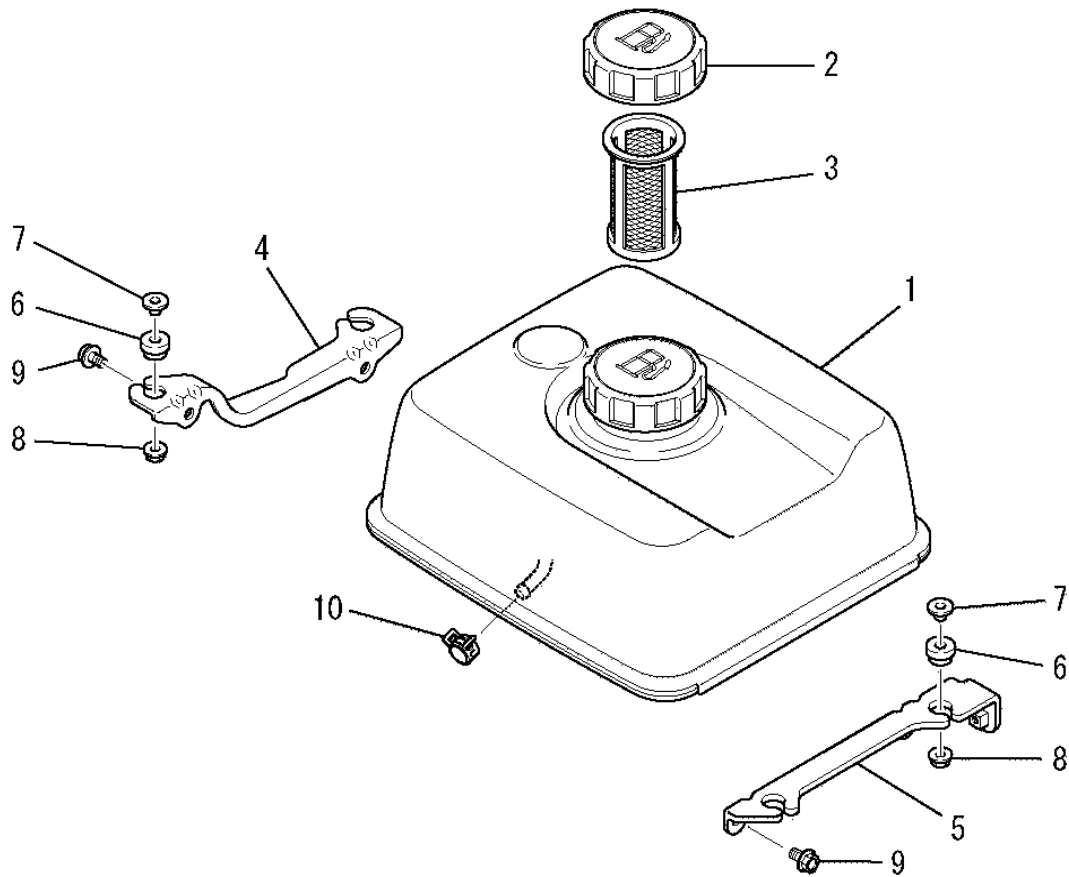
(K) FAN COVER GROUP



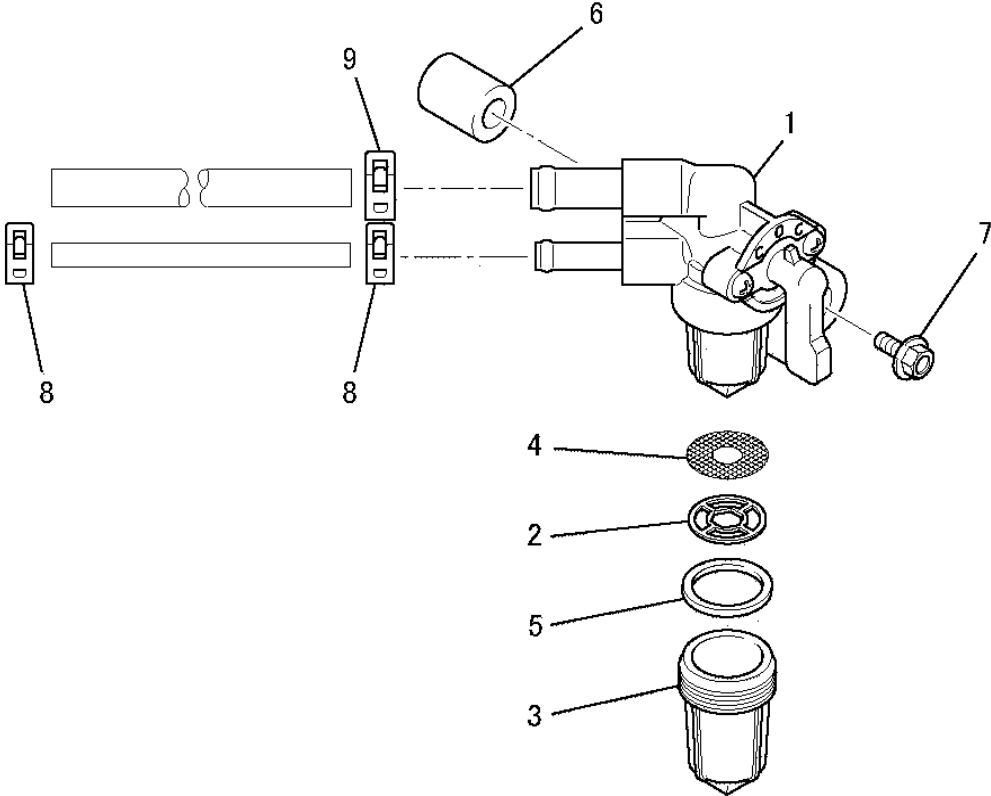
(L) CYLINDER COVER GROUP



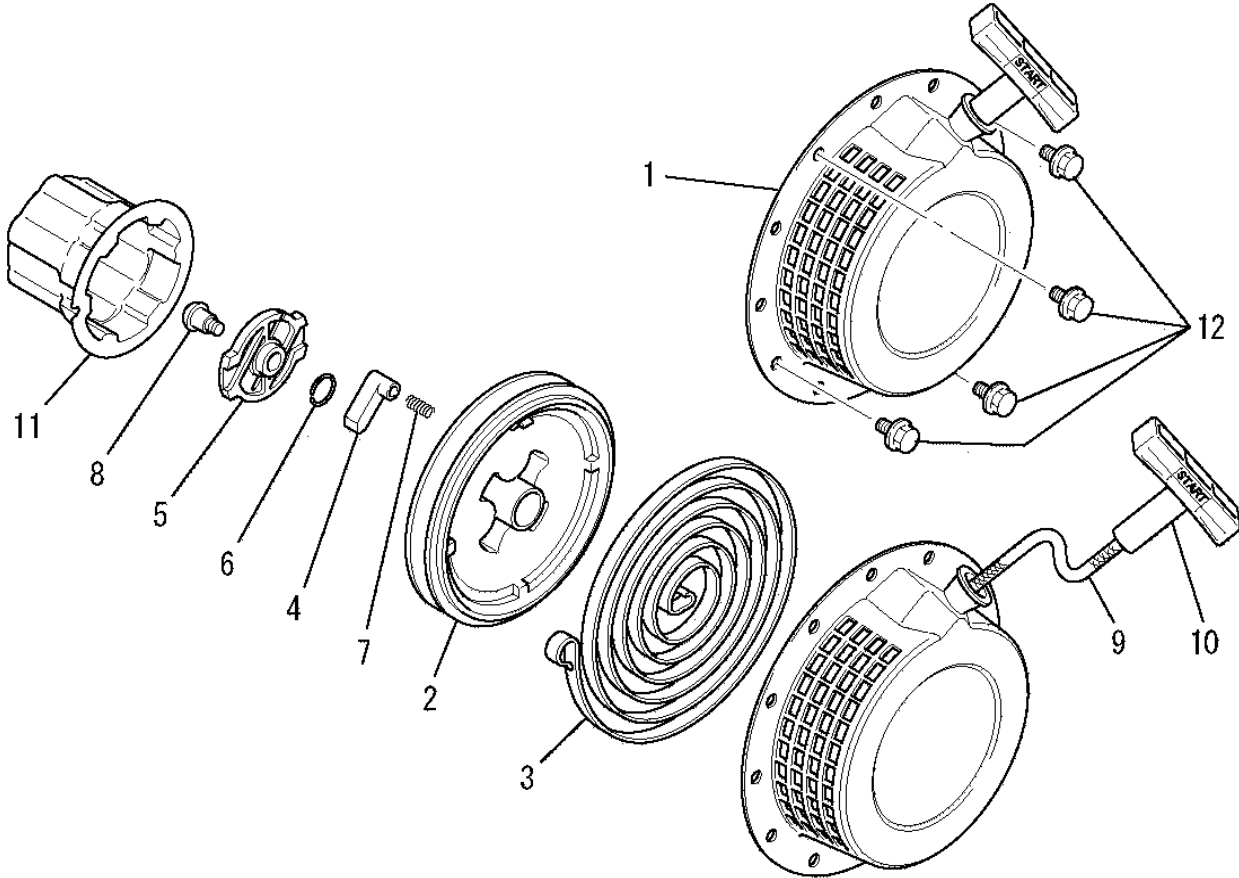
# (M) TANK GROUP



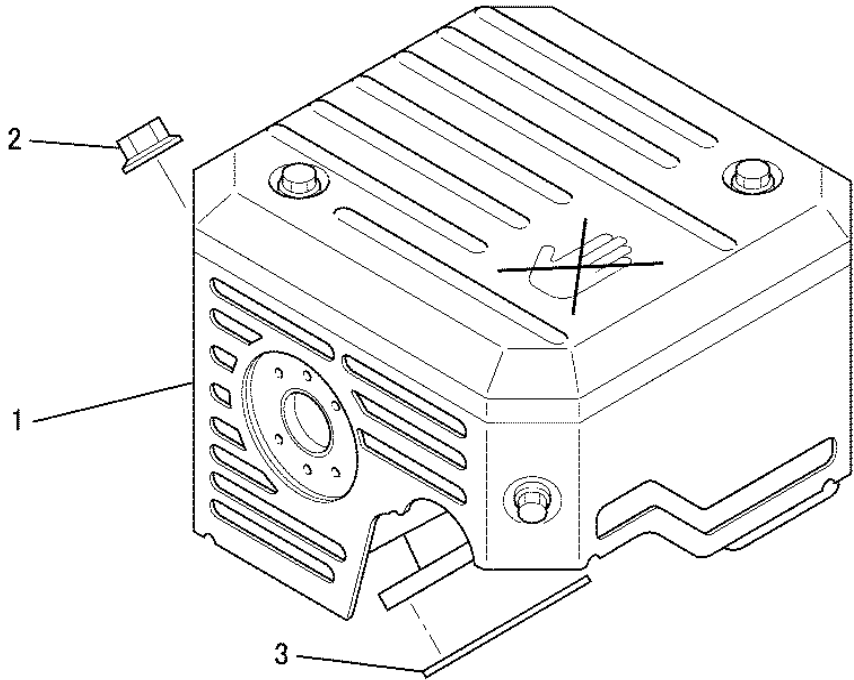
# (N) COCK GROUP



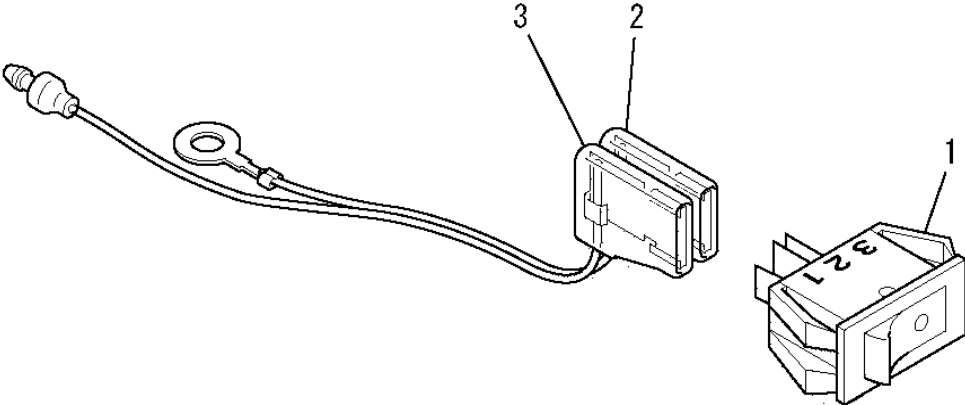
(R) RECOIL STARTER GROUP



(S) MUFFLER GROUP

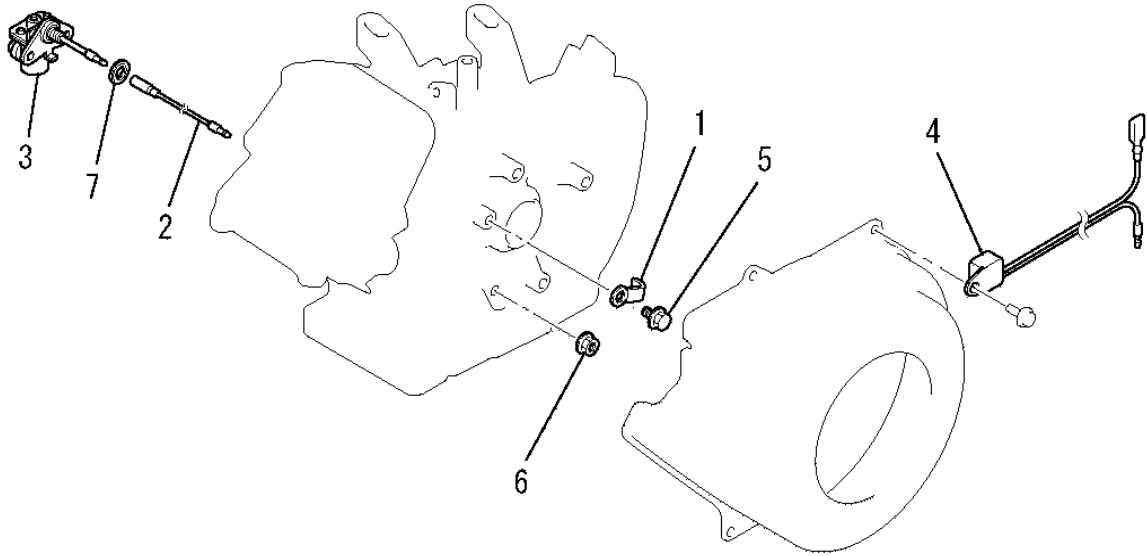


(U) SWITCH GROUP





(W) OIL SENSOR GROUP



(X) COVER GROUP

