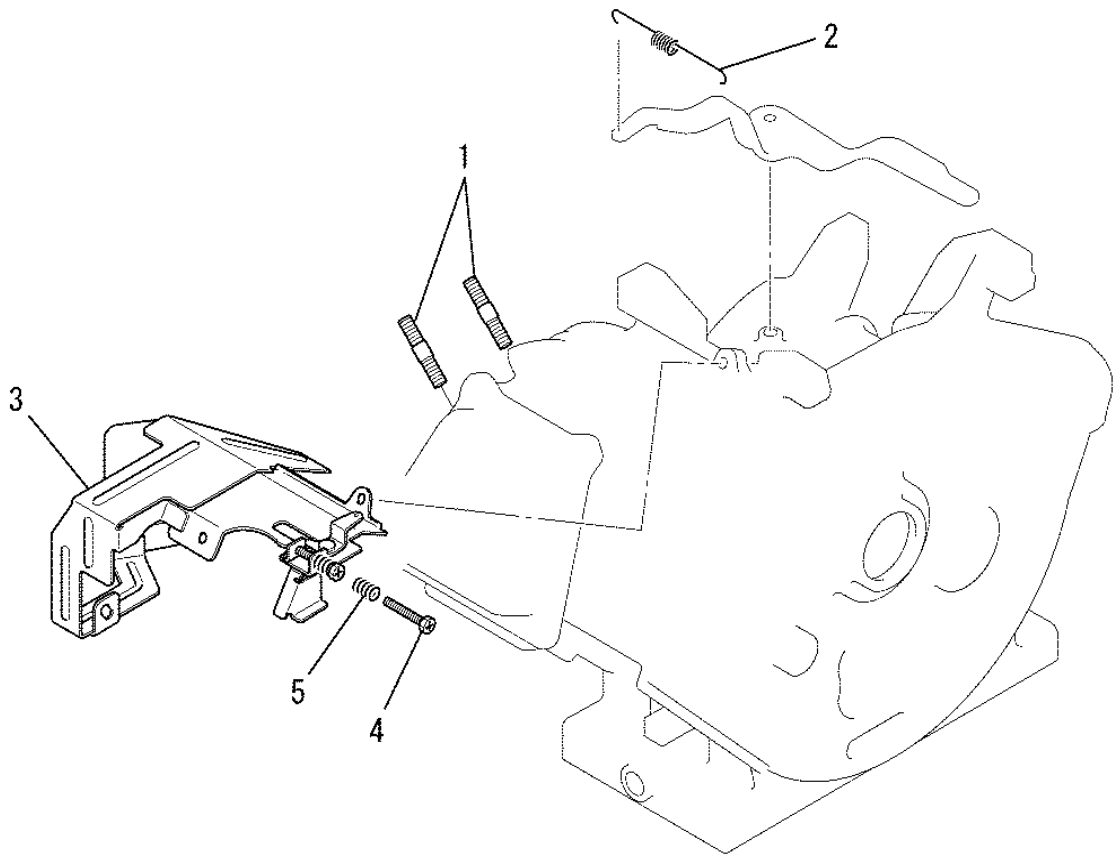
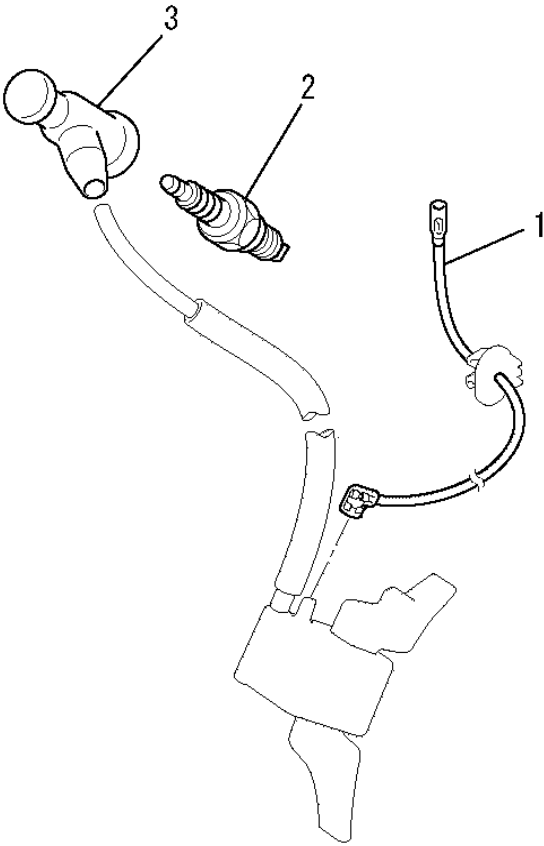


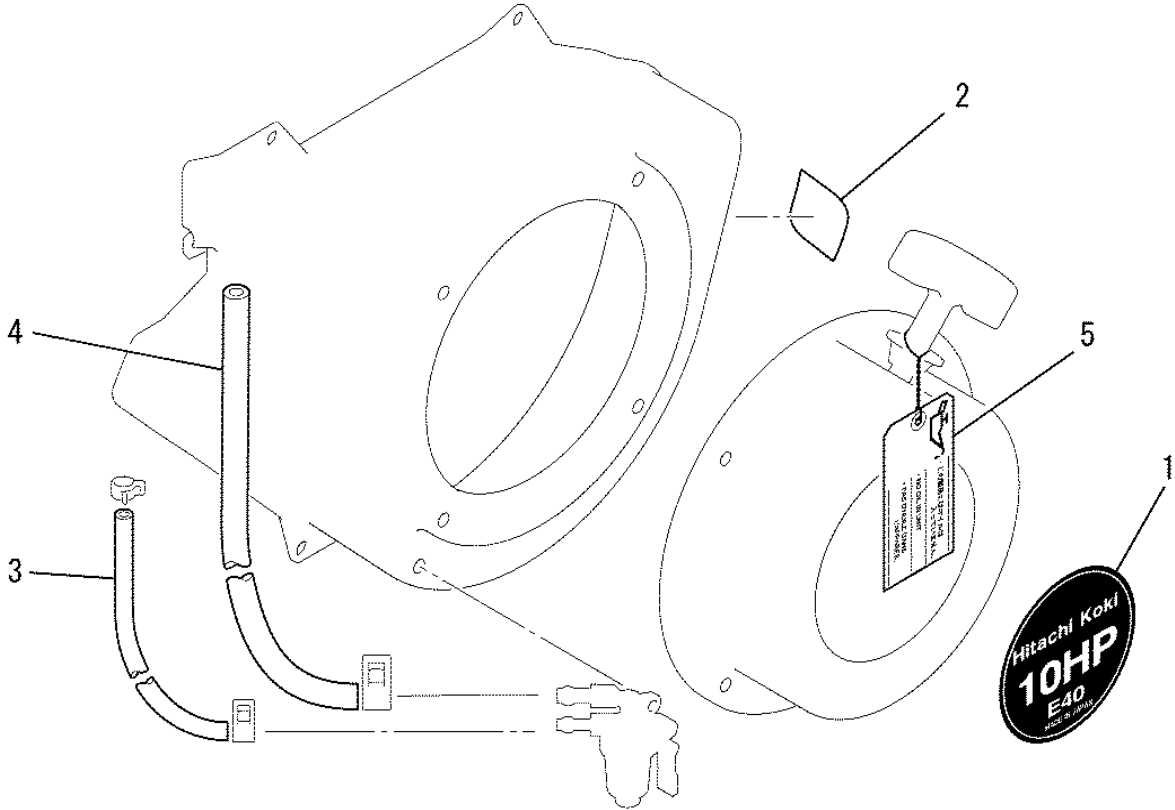
1. BOLT, SPRING, COVER



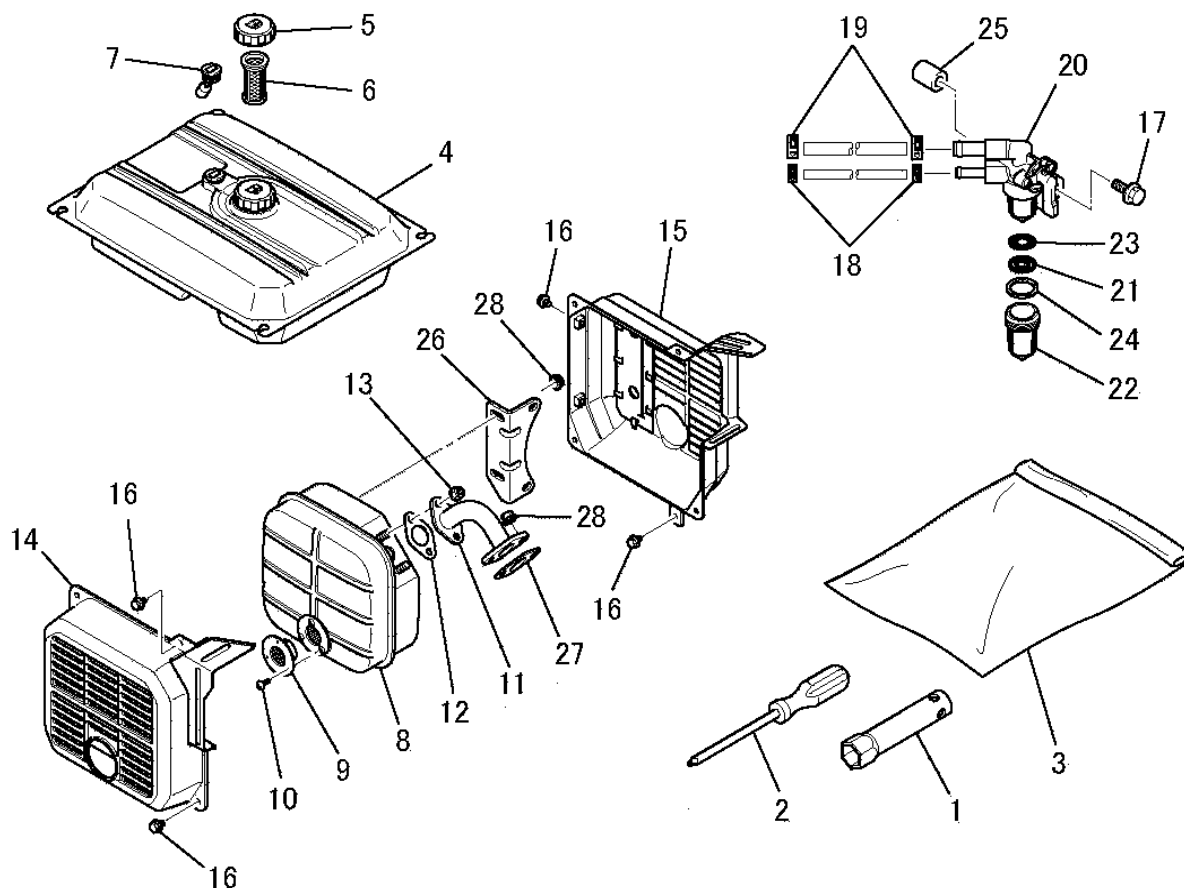
2. LEAD WIRE, PLUG, CAP



3. LABEL, FUEL HOSE

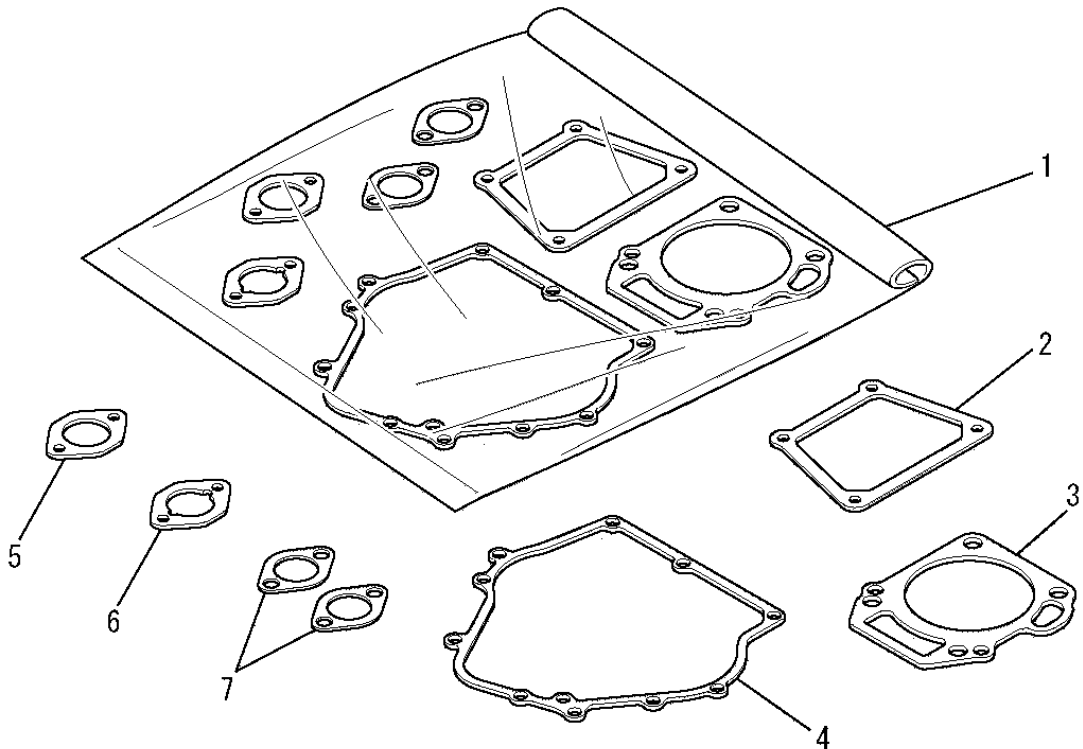


4. TOOL SET

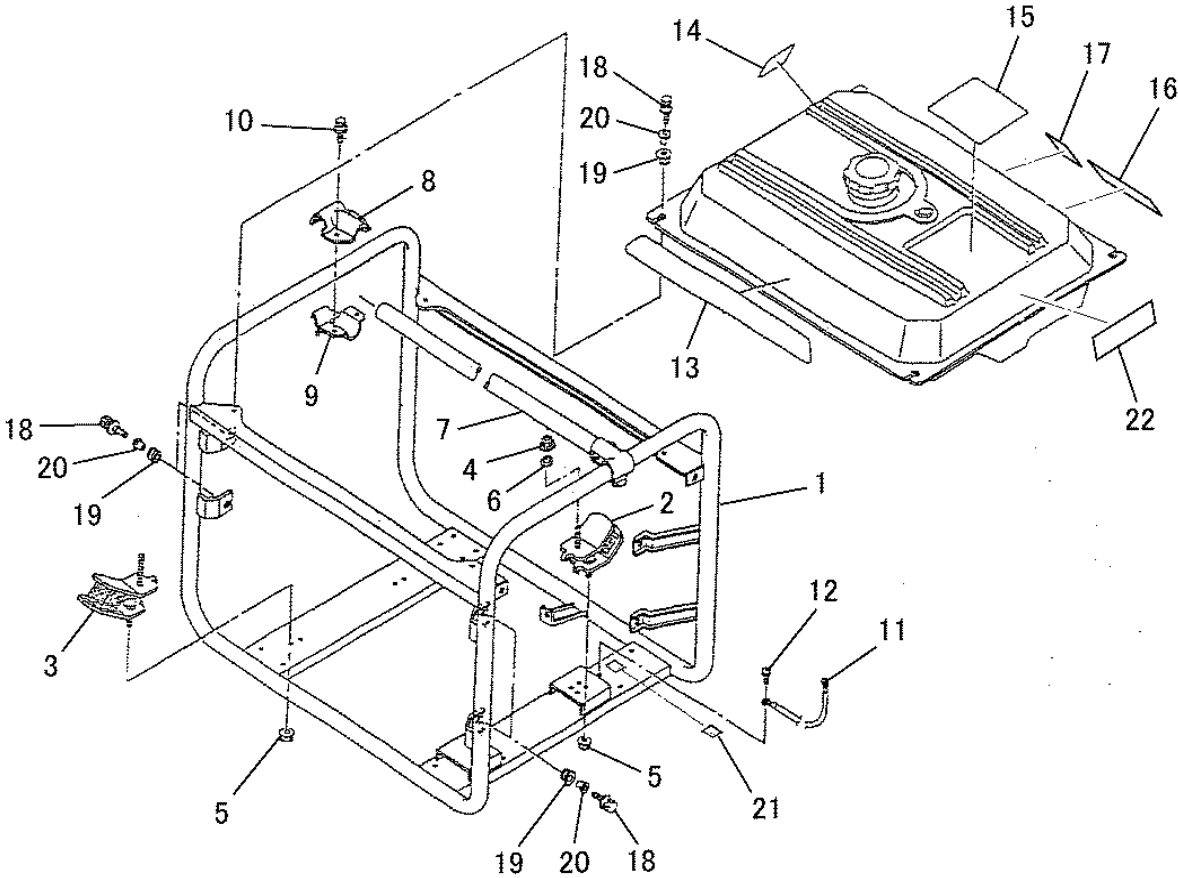


No.	R/N	Parts No.	Parts Name	No. Req'd	Inte	Remarks	Serial No. (From~To)
25		KF90105AA	SPACER	1			
26		KM60014AA	BRACKET, MUFFLER	1			
27		KM70032AB	GASKET, MUFFLER	1			
28		ZZ70028C	NUT, CONICAL SPG	4			

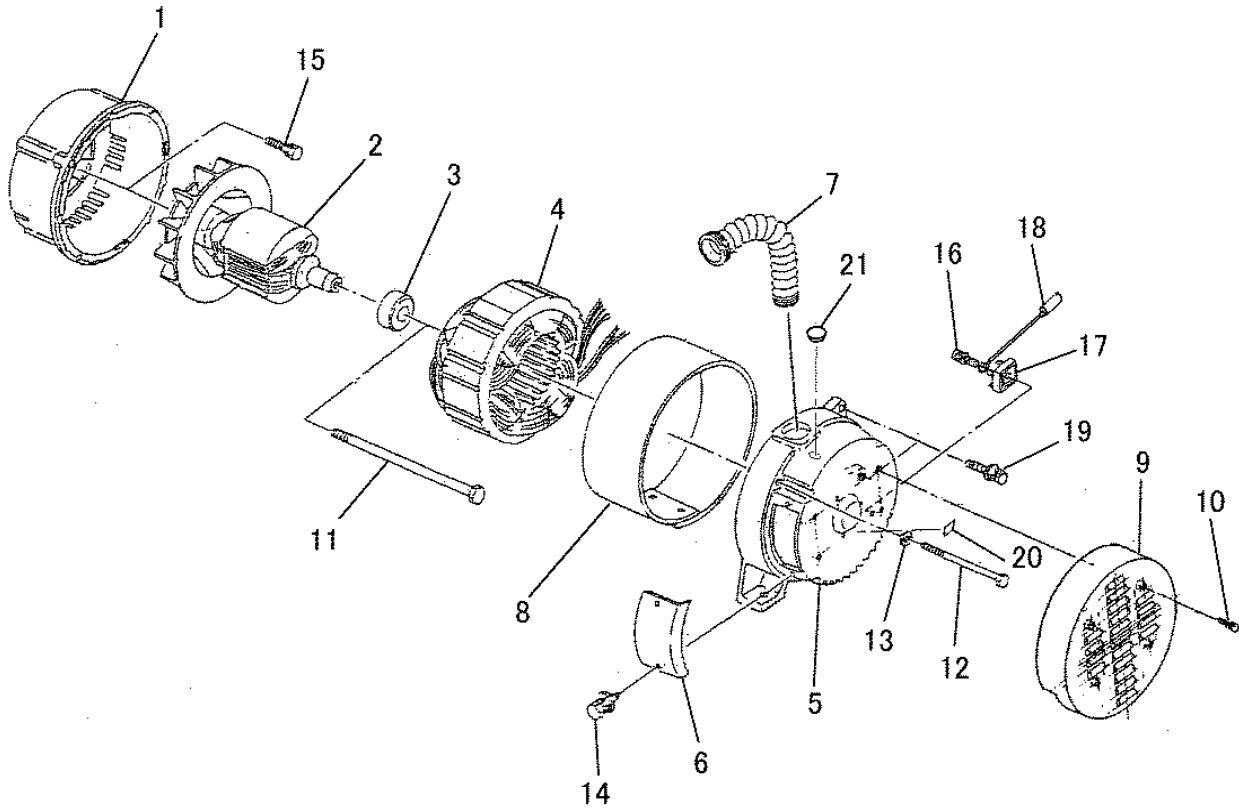
5. GASKET SET



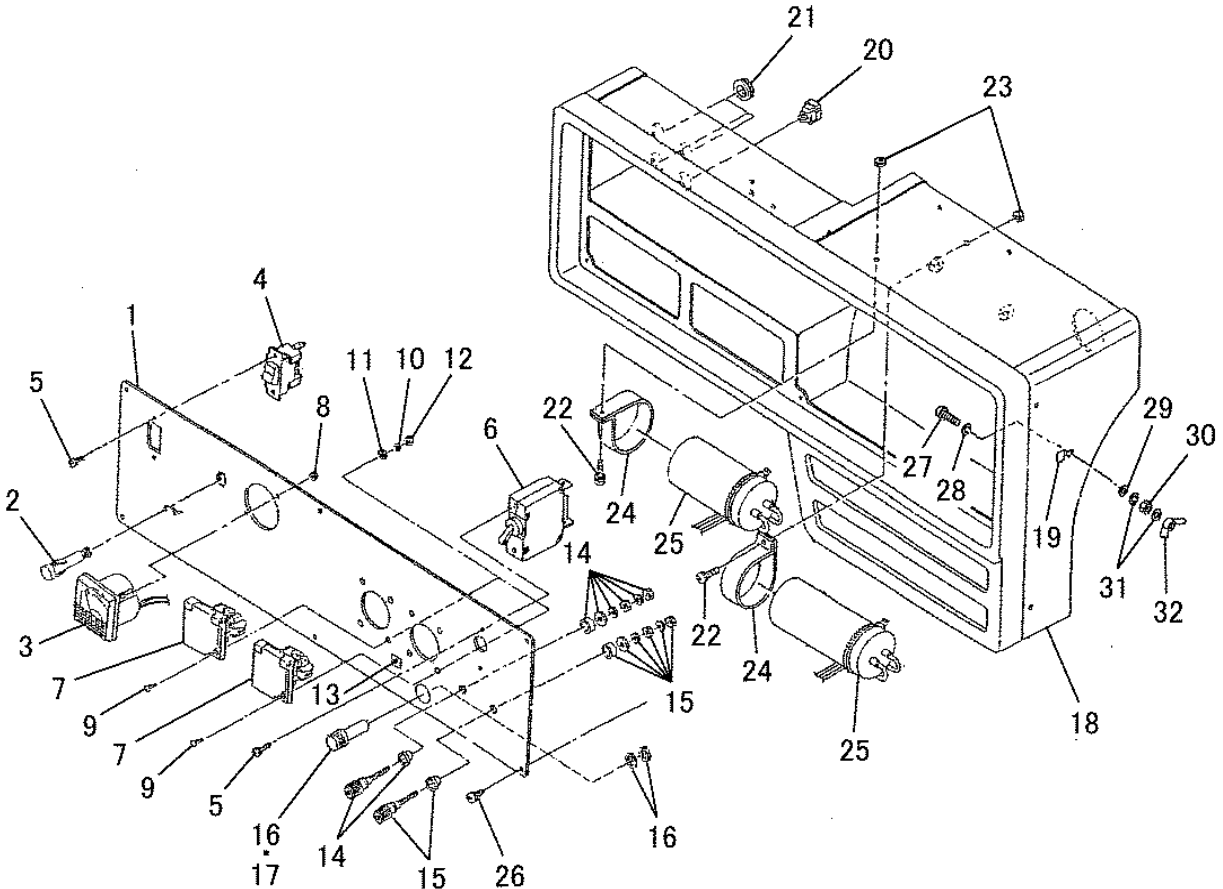
6. FRAME & TANK



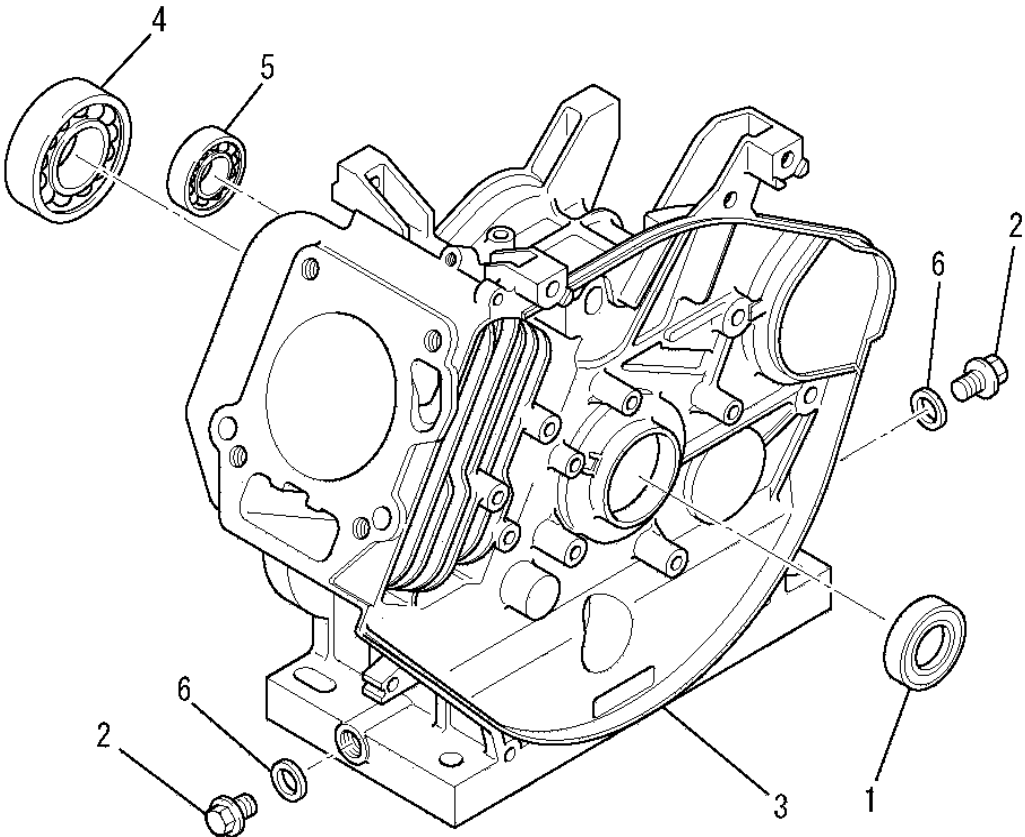
7. GRNERATOR



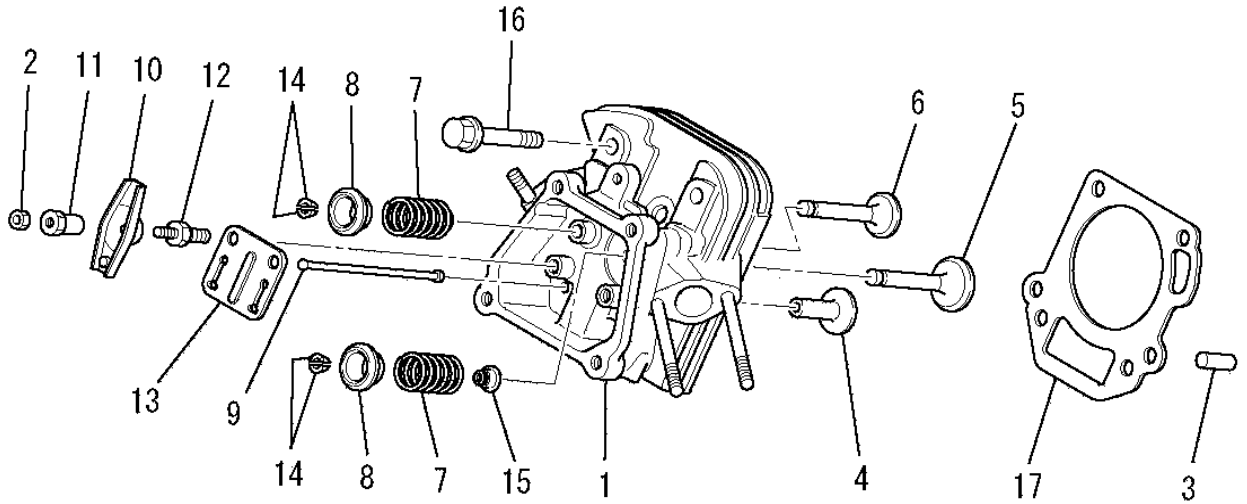
8. CONTROL BOX



(A) CYLINDER BLOCK GROUP

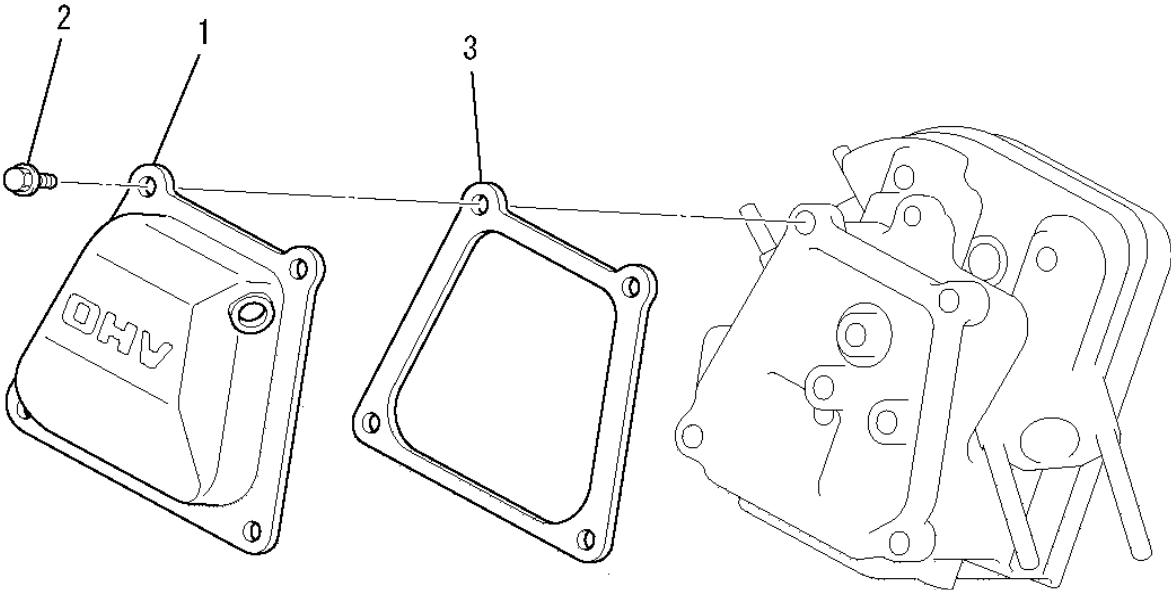


(B) CYLINDER HEAD GROUP

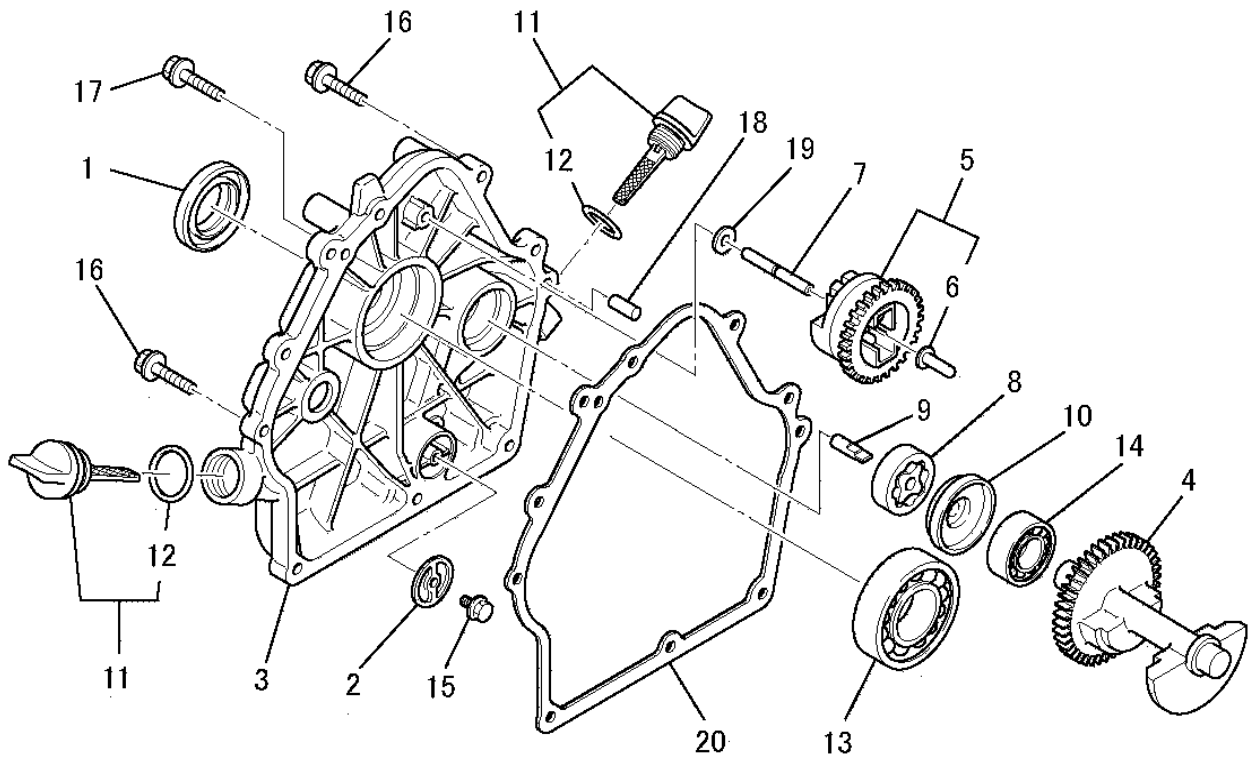


No.	R/N	Parts No.	Parts Name	No. Req'd	Inte	Remarks	Serial No. (From~To)
13		KV75006AA	PLATE	1			
14		KV75007AA	COTTER	4			
15		KW21019AA	SEAL, VALVE STEM	1			
16		B800B10X065	BOLT, FLANGE	4			
17		KC66009AA	GASKET, HEAD	1			

(C) HEAD COVER GROUP

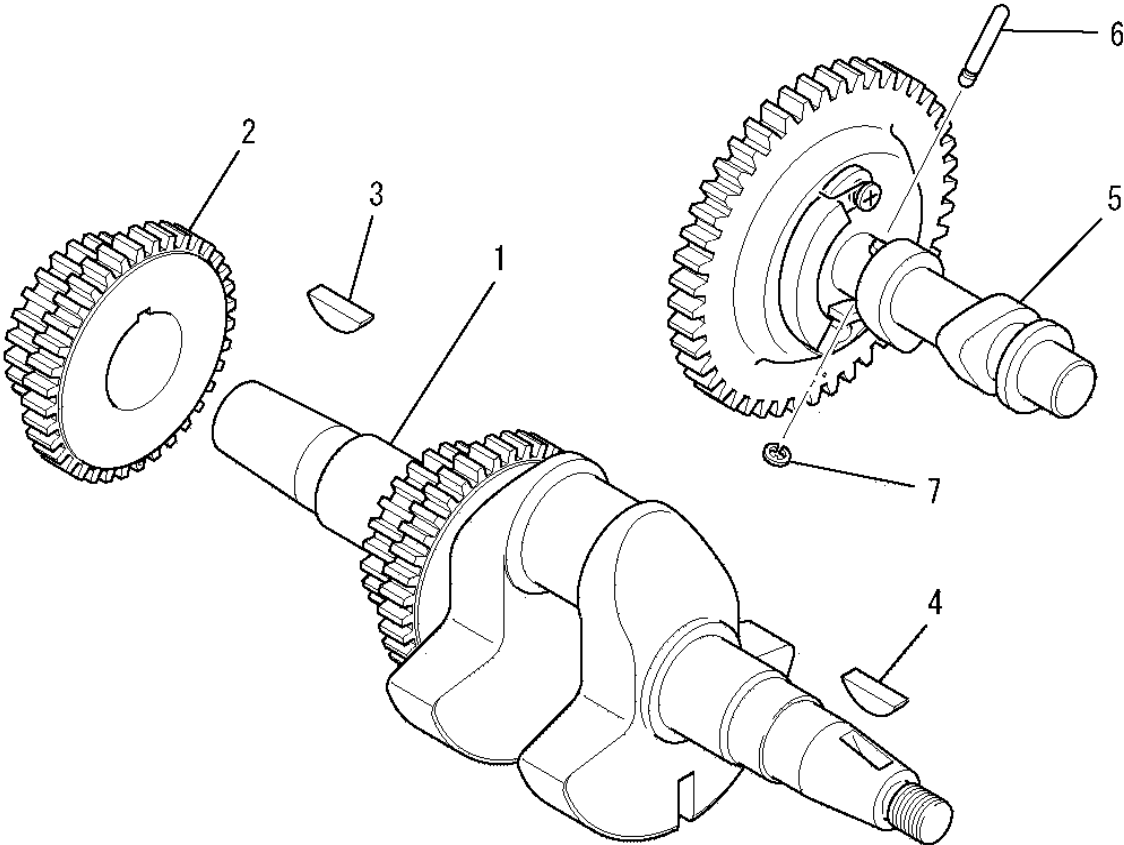


(D) CASE COVER GROUP

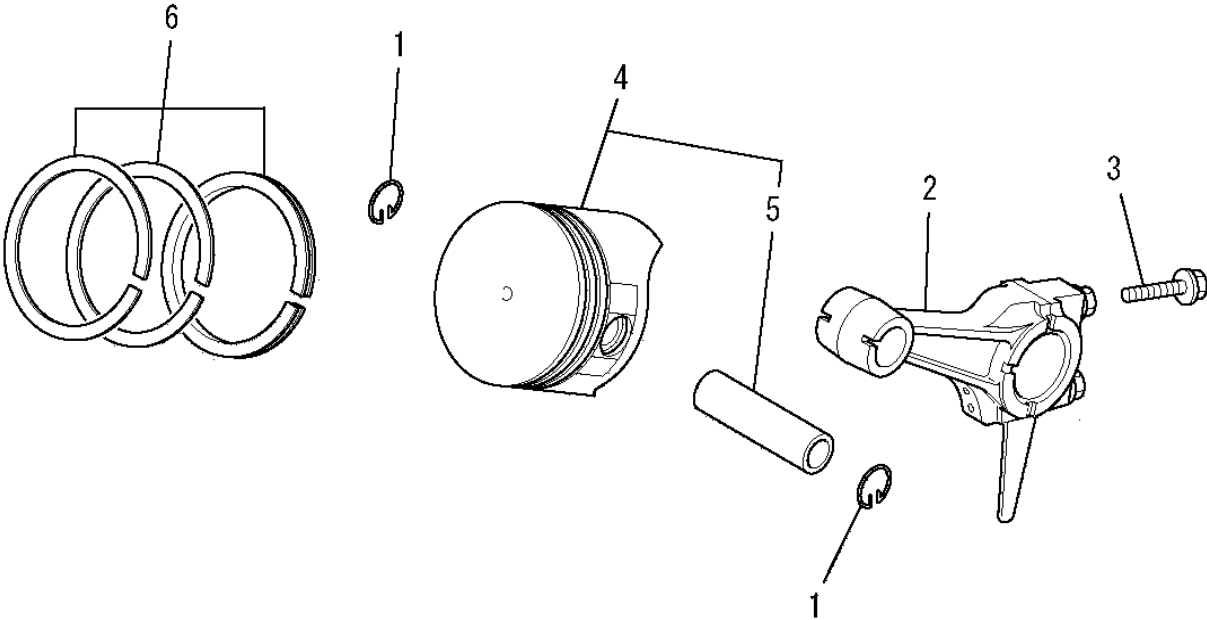


No.	R/N	Parts No.	Parts Name	No. Req'd	Inte	Remarks	Serial No. (From~To)
13		S111X62X060	BEARING, BALL	1		#6206	
14		S111X62X030	BEARING, BALL	1		#6203	
15		B800A06X008	BOLT, FLANGE	1			
16		B800B08X030	BOLT, FLANGE	8			
17		KU14031AA	BOLT, FLANGE	1			
18		KU44001AA	PIN, DOWEL	2			
19		W200H06	WASHER	1			
20		KW31007AA	GASKET, CRANKCASE	1			

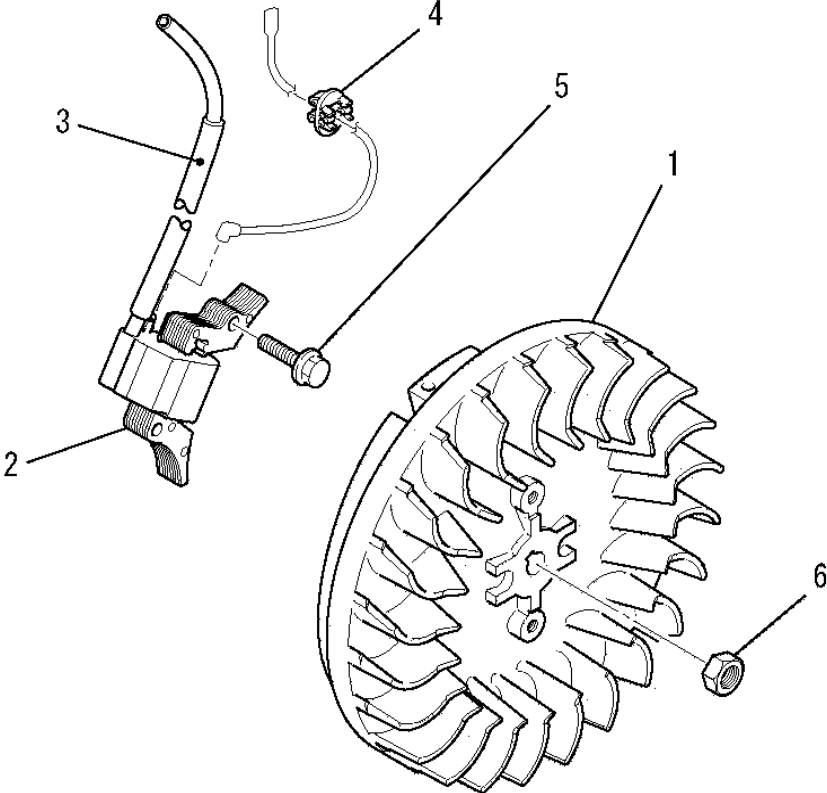
(E) CRANKSHAFT GROUP



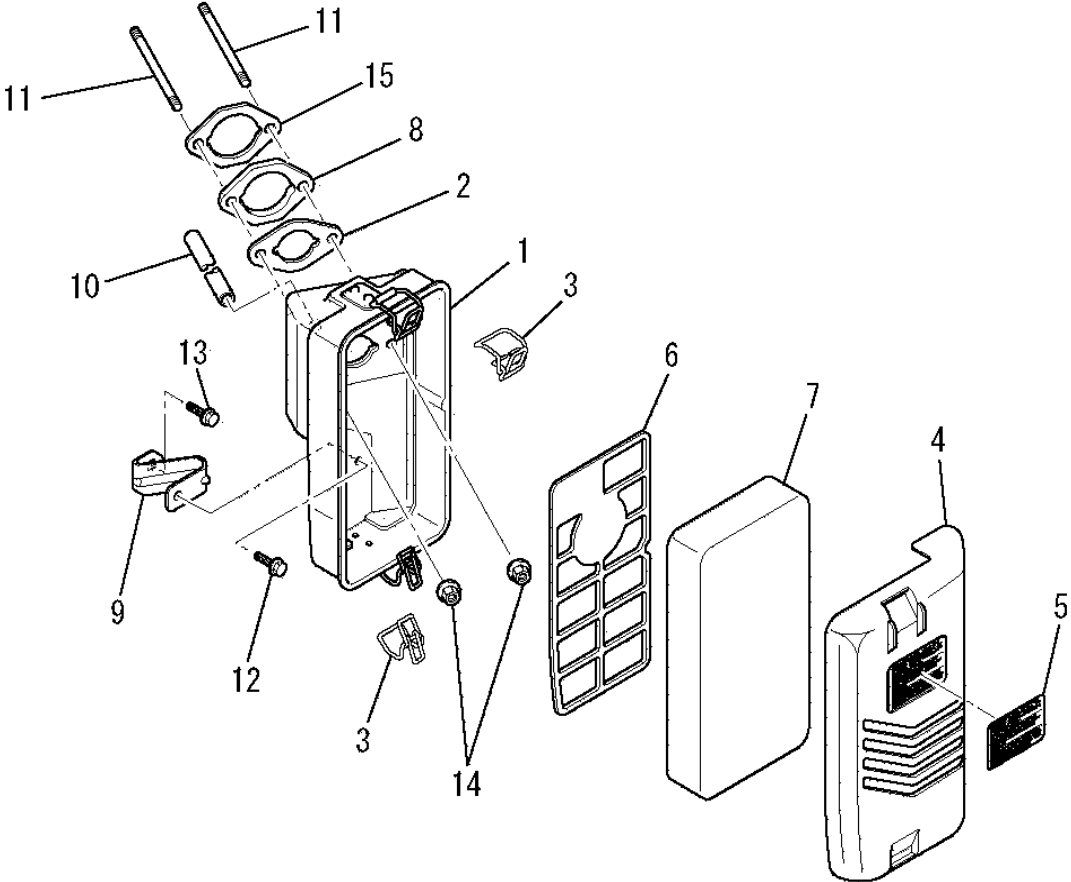
(F) PISTON & ROD GROUP



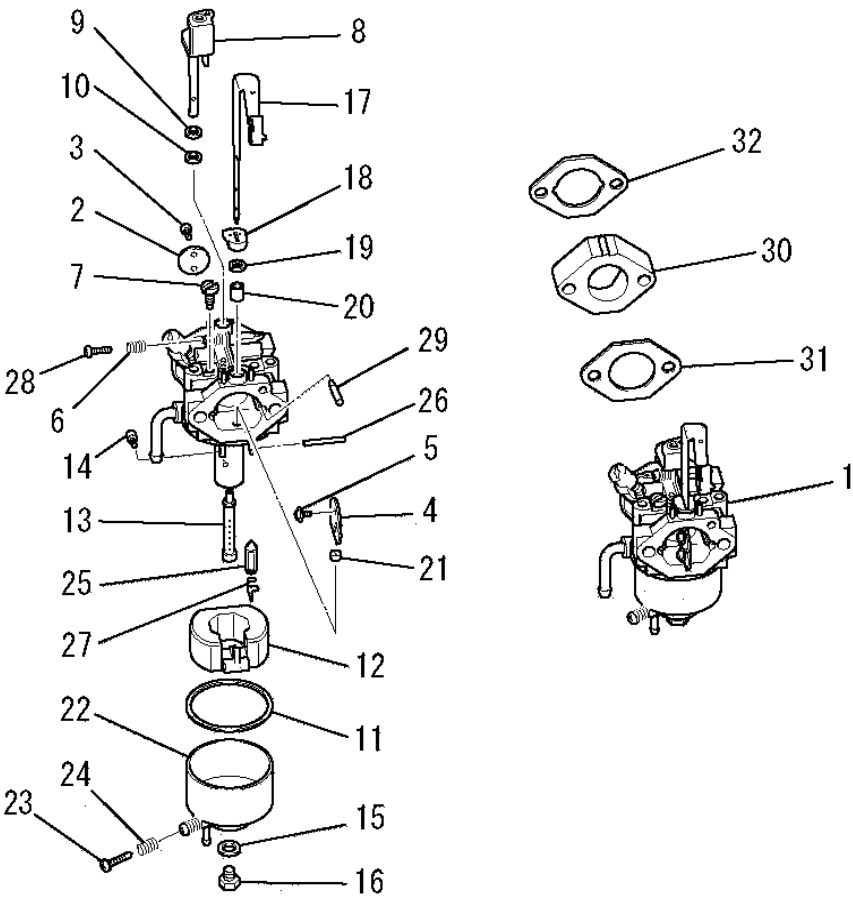
(G) MAGNETO GROUP



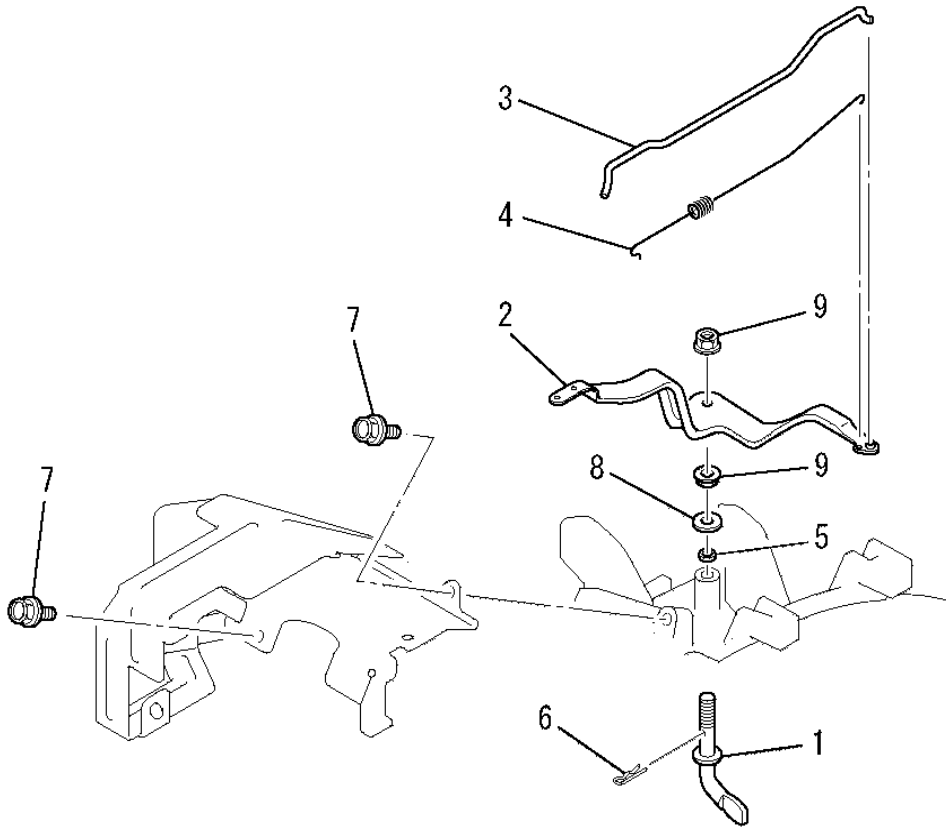
(H) AIR CLEANER GROUP



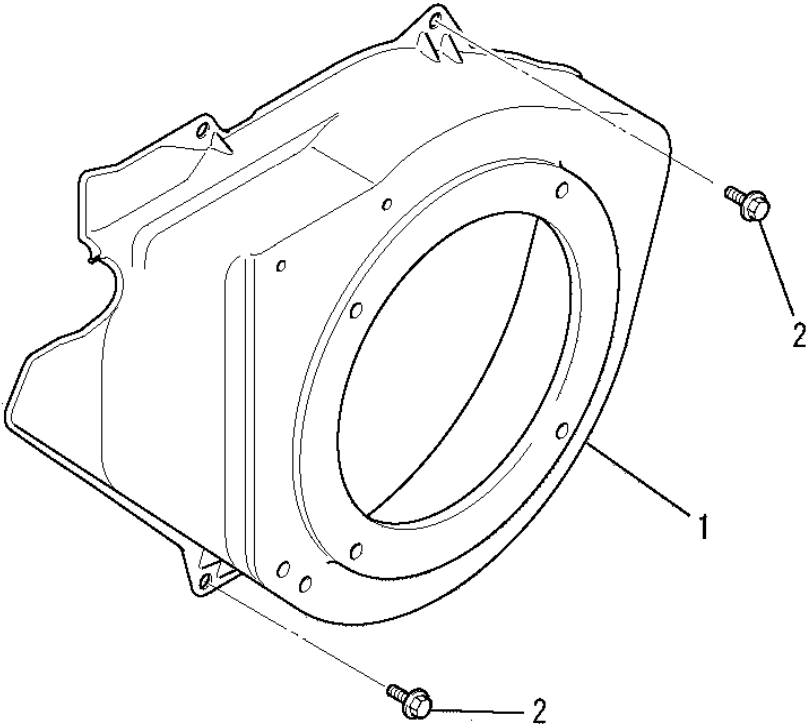
(I) CARBURETOR GROUP



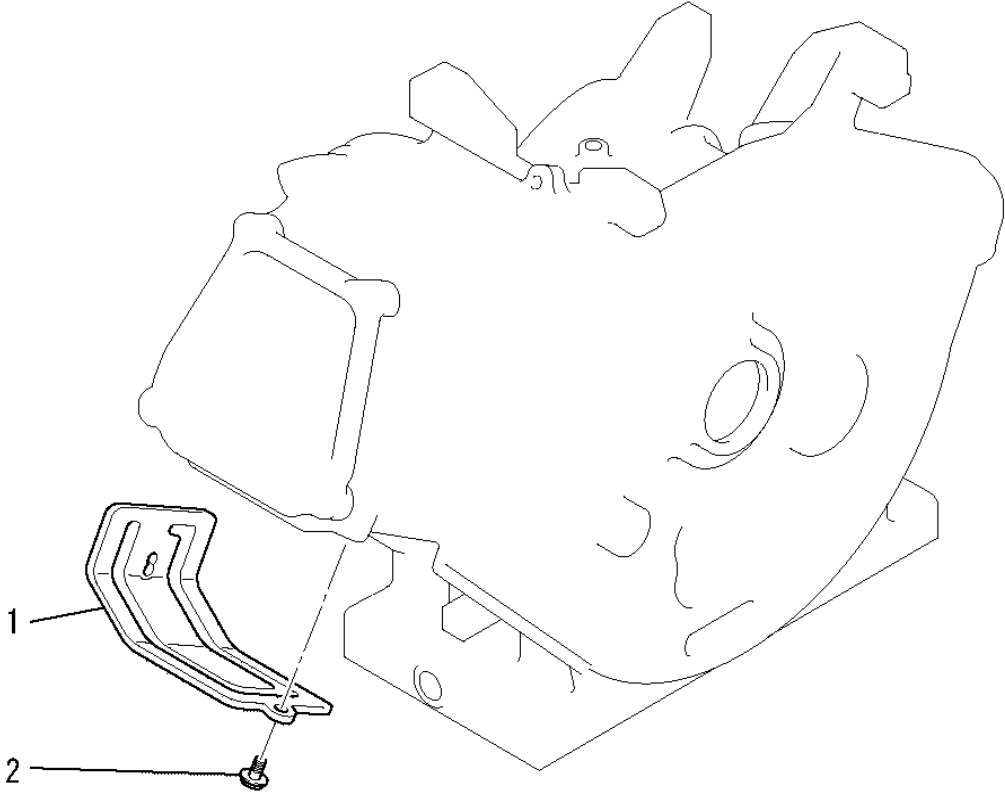
(J) CONTROL PANEL GROUP



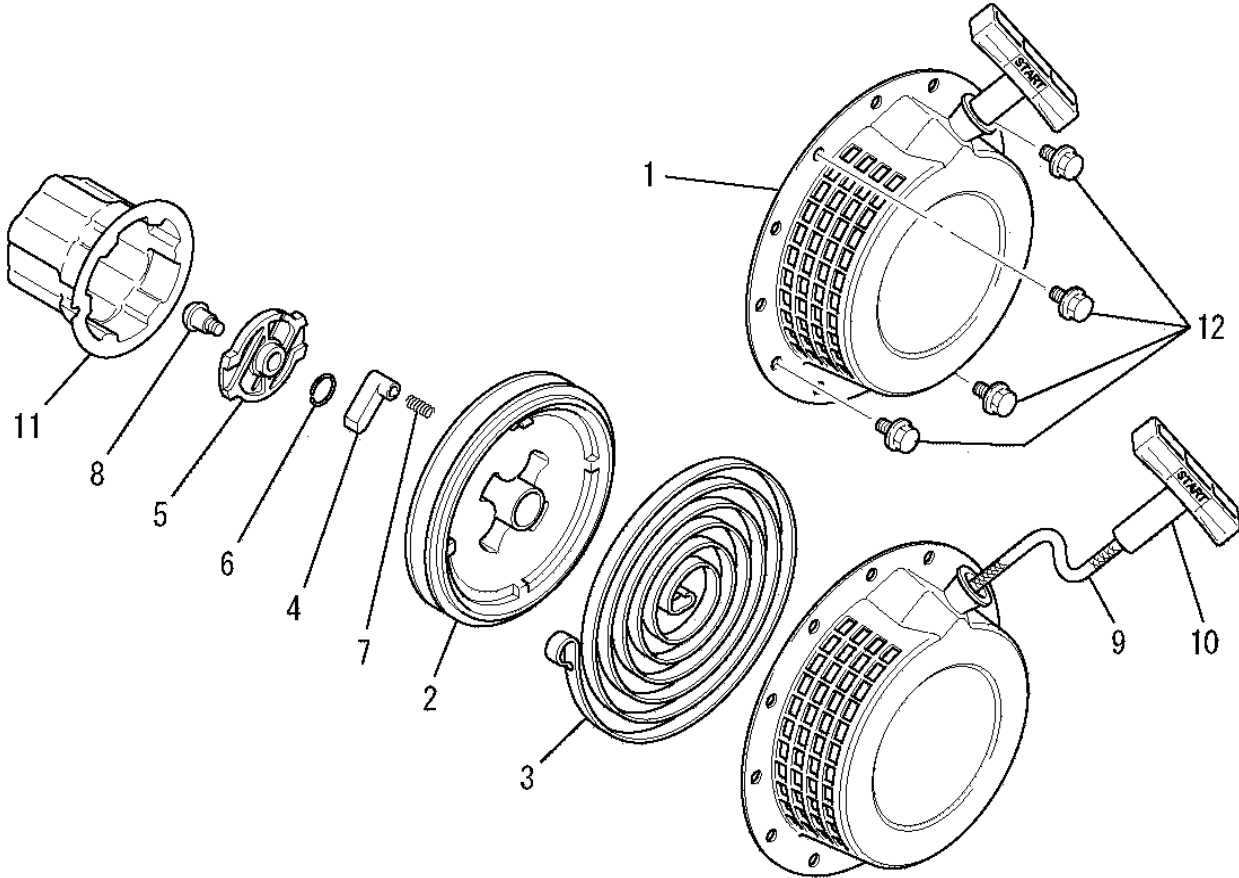
(K) FAN COVER GROUP



(L) CYLINDER COVER GROUP



(R) RECOIL STARTER GROUP



(W) OIL SENSOR GROUP

